



15.6" Full HD PCAP 10 point touch monitor with edge-to-edge glass, IPS Panel Technology and touch through glass function

The ProLite T1634MC-B8X uses projective capacitive touch technology, built into an eye catching bezel with edge-to-edge glass. Featuring IPS Panel Technology and Full HD (1920x1080) resolution, it offers natural, highly accurate colours and wide viewing angles. In addition to the superb image quality, the screen comes with an IP65 rating, which means the screen and bezel is totally dust and water resistant, making it a perfect solution for demanding environments. The Touch-Through-Glass function guarantees a seamless and accurate touch response for interactive behind-glass-retail applications.



IPS Technology

IPS displays are best known for wide viewing angles and natural, highly accurate colours. They are especially suited for colour-critical applications.



Touch through-glass

This through glass touch screen works right through glass and can turn glass surfaces into an interactive touch screen display. Use it on storefront windows, real estate office, in-store for POS or restaurants.

01 DISPLAY CHARACTERISTICS

Design	Edge to edge glass
Diagonal	15.6", 39.5cm
Panel	IPS Panel Technology LED
Native resolution	1920 x 1080 @60Hz (2.1 megapixel)
Aspect ratio	16:9
Panel brightness	450 cd/m ²
Brightness	405 cd/m ² with touch
Light transmittance	90%
Static contrast	700:1 with touch
Response time (GTG)	25ms
Viewing zone	horizontal/vertical: 178°/178°, right/left: 89°/89°, up/down: 89°/89°
Colour support	16.2mln (6bit + Hi-FRC)
Horizontal Sync	30 - 84kHz
Viewable area W x H	344.2 x 193.6mm, 13.6 x 7.6"
Pixel pitch	0.179mm
Bezel colour and finish	black, matte

02 TOUCH

Touch technology	projective capacitive
Touch points	10 (HID, only with supported OS)
Touch method	stylus, finger, glove (latex)
Touch interface	USB
Supported operating systems	All iiyama monitors are Plug & Play and compatible with Windows and Linux. For details regarding the supported OS for the touch models, please refer to the driver instruction file available in the downloads section.
Through-Glass	6mm
Palm rejection	yes

03 INTERFACES / CONNECTORS / CONTROLS

Analog signal input	VGA x1
Digital signal input	HDMI x1 DisplayPort x1
HDCP	yes

04 FEATURES

Extra	Anti-fingerprint coating, touch through-glass
Glass thickness	2.4mm
Glass hardness	7H
Water and dust protection	IP65 (front)
OSD key lock	yes

05 GENERAL

OSD languages	EN, DE, FR, ES, IT, CN, JP
Control buttons	Menu, Scroll up/ Brightness, Scroll down/ Contrast, Select, Power

User controls

picture (contrast, brightness, H-position, V-position, phase, clock, auto adjust), advanced (color temp., sharpness), OSD (timeout, position, H-position, V-position, touch switch), option (reset, language, source select, display mode, factory)

Plug&Play

DDC2B

06 MECHANICAL**Orientation**

landscape, face-up

Tilt angle

90° up; 5° down

VESA mounting

100 x 100mm

07 ACCESSORIES INCLUDED**Cables**

power, USB, HDMI, DP

Guides

quick start guide, safety guide

Other

AC adapter

08 POWER MANAGEMENT**Power supply unit**

external

Power supply

DC 12 V

Power usage

18W typical, 1.5W stand by, 0.3W off mode

09 SUSTAINABILITY**Regulations**

CE, EAC, RoHS support, ErP, WEEE, cULus, REACH

Energy efficiency class (Regulation (EU) 2017/1369)

F

REACH SVHC

above 0.1%: Lead

10 DIMENSIONS / WEIGHT**Product dimensions W x H x D**

381 x 315.5 x 253.5mm

Box dimensions W x H x D

455 x 365 x 290mm

Weight (without box)

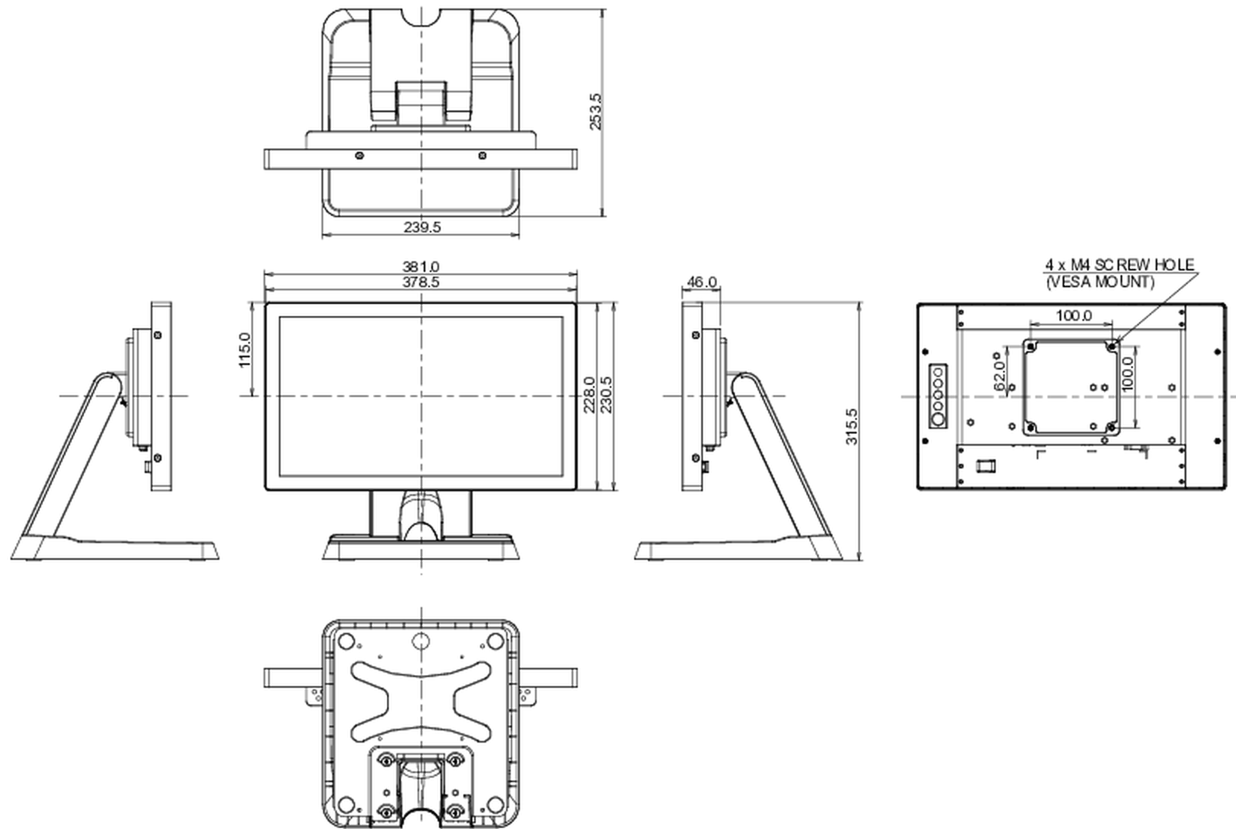
3.9kg

Weight (with box)

5.8kg

EAN code

4948570118335



All trademarks and registered trademarks acknowledged. E & O E. Specification subject to change without notice. All LCD's comply with ISO-9241-307:2008 in connection with pixel defects.

© IYAMA CORPORATION. ALL RIGHTS RESERVED