



**10pt touch open frame monitor with Anti Glare Glass and high brightness**

The ProLite TF2234MC uses PCAP touch technology, and it is built into an eye-catching bezel with edge-to-edge glass. Featuring IPS LCD Screen technology, it offers exceptional colour performance and wide viewing angles. The higher brightness ensures crispy and clear images, even in a bright environment. In addition to the superb image quality, the screen is suitable for demanding environments. It comes with a rugged bezel and IP65 rating, meaning the monitor is dust and water resistant from the front. The Anti Glare Glass helps to avoid issues with reflections and external light sources affecting contrast and sharpness. The ProLite TF2234MC is the ideal screen for kiosk integrators and a superb display for use as Interactive Digital Signage, Instore Retail and Interactive Presentation display. For ease of integration, this monitor can be equipped with optional external mounting brackets ([OMK1-1](#)).



IPS

IPS displays are best known for wide viewing angles and natural, highly accurate colours. They are especially suited for colour-critical applications.



Touch technology - Capacitive

This technology uses a sensor-grid of micro-fine wires integrated into the glass that covers the screen. Touch is detected because electrical characteristics of the sensor grid change when human finger is placed on the glass. Thanks to the glass overlay this technology is highly durable, and the touch function remains unaffected even if the glass is scratched. It offers perfect picture performance and will work with human finger (also latex gloved) and stylus-pen.

## 01 DISPLAY CHARACTERISTICS

<b>Design</b>	Open Frame
<b>Diagonal</b>	21.5", 55cm
<b>Panel</b>	IPS LED, Anti Glare Glass
<b>Native resolution</b>	1920 x 1080 (2.1 megapixel Full HD)
<b>Aspect ratio</b>	16:9
<b>Panel brightness</b>	350 cd/m <sup>2</sup>
<b>Brightness</b>	300 cd/m <sup>2</sup> with touch
<b>Light transmittance</b>	85%
<b>Static contrast</b>	1 000:1 with touch
<b>Response time (GTG)</b>	8ms
<b>Viewing zone</b>	horizontal/vertical: 178°/178°, right/left: 89°/89°, up/down: 89°/89°
<b>Colour support</b>	16.7mln
<b>Horizontal Sync</b>	30.0 - 84.0kHz
<b>Viewable area W x H</b>	476.6 x 268.1mm, 18.8 x 10.6"
<b>Pixel pitch</b>	0.247mm
<b>Bezel colour and finish</b>	black, matte

## 02 TOUCH

<b>Touch technology</b>	projective capacitive
<b>Touch points</b>	10 (HID, only with supported OS)
<b>Touch method</b>	stylus, finger, glove (latex)
<b>Touch interface</b>	USB
<b>Supported operating systems</b>	All iiyama monitors are Plug & Play and compatible with Windows and Linux. For details regarding the supported OS for the touch models, please refer to the driver instruction file available in the downloads section.

## 03 INTERFACES / CONNECTORS / CONTROLS

<b>Analog signal input</b>	VGA x1
<b>Digital signal input</b>	HDMI x1 DisplayPort x1
<b>HDCP</b>	yes

## 04 FEATURES

<b>Glass thickness</b>	1.5mm
<b>Glass hardness</b>	6H
<b>Water and dust protection</b>	IPIP65 (front)
<b>OSD key lock</b>	yes

## 05 GENERAL

<b>OSD languages</b>	EN, DE, FR, ES, IT, RU, JP, NL, PL
<b>Control buttons</b>	Menu, Scroll up/ Brightness, Scroll down/ Contrast, Select/ Auto, Power
<b>User controls</b>	picture (contrast, brightness, auto adjust, H.position, V.position, H.size, phase, clock, auto adjust), advanced (color temp., sharpness), OSD (time out, position, H-position, V-position), option (reset, language, source select, display mode, factory)
<b>Plug&amp;Play</b>	DDC2B

## 06 MECHANICAL

**Orientation** landscape, portrait, face-up

**VESA mounting** 100 x 100mm

## 07 ACCESSORIES INCLUDED

**Cables** power (1.8m), USB (1.8m), HDMI (1.8m), DP (1.8m)

**Guides** quick start guide, safety guide

**Other** AC adapter, Touch Panel Driver Disk (CD-ROM)

**Cable cover** yes

## 08 POWER MANAGEMENT

**Power supply unit** external

**Power supply** DC DC 12 V

**Power usage** 18W typical, 1W stand by, 1W off mode

## 09 SUSTAINABILITY

**Regulations** CE, TÜV-Bauart, RoHS support, ErP, WEEE, CU, cULus, VCCI, REACH

**Energy efficiency class (Regulation (EU) 2017/1369)** F

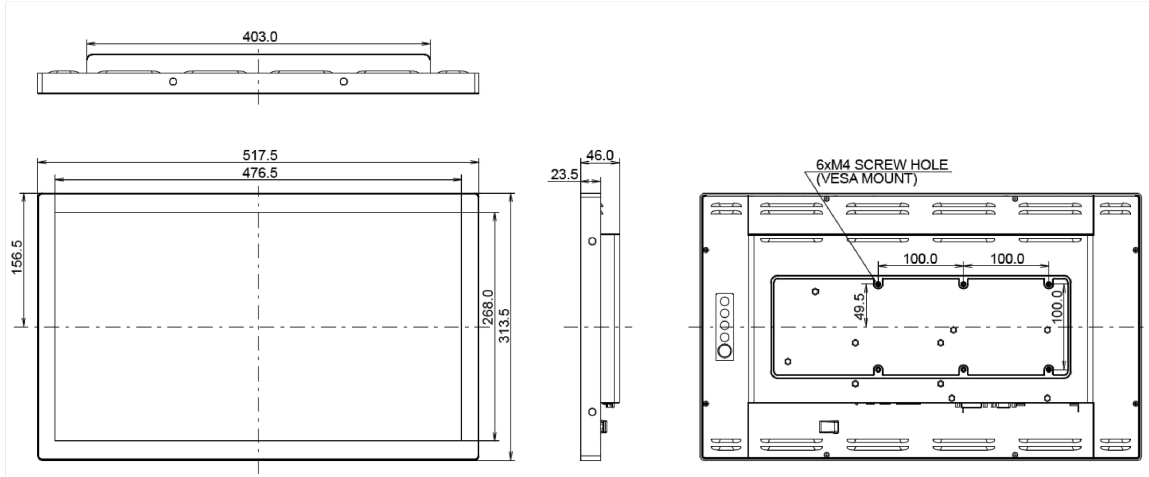
**REACH SVHC** above 0.1%: Lead

## 10 DIMENSIONS / WEIGHT

**Product dimensions W x H x D** 517.5 x 313.5 x 46mm

**Weight (without box)** 4.4kg

**EAN code** 4948570116867



All trademarks and registered trademarks acknowledged. E & O E. Specification subject to change without notice. All LCD's comply with ISO-9241-307:2008 in connection with pixel defects.

© IYAMA CORPORATION. ALL RIGHTS RESERVED