



25" ultra-slim monitor featuring IPS Panel Technology with a 16:10 aspect ratio

Providing excellent picture performance, the ProLite XU2595WSU is a great choice for office applications, graphics applications and CAD applications. The monitor features an IPS Technology LED panel offering 1920 x 1200 native resolution with accurate colour reproduction and wide viewing angles. The blue light reducer function and flicker-free LED's helps to significantly limit eye fatigue typically caused by working with a computer screen.



IPS

IPS displays are best known for wide viewing angles and natural, highly accurate colours. They are especially suited for colour-critical applications.



Flicker-free + Blue light

The ultimate solution for the comfort and health of your eyes. Flicker-free monitors with the blue light reducer function substantially reduce the strain and fatigue caused by flickering and blue light emittance of regular monitors.

01 DISPLAY CHARACTERISTICS

| | |
|---------------------|---|
| Design | ultra slim |
| Diagonal | 25", 63.36cm |
| Panel | IPS LED, matte finish |
| Native resolution | 1920 x 1200 (2.3 megapixel WUXGA) |
| Aspect ratio | 16:10 |
| Panel brightness | 300 cd/m ² |
| Static contrast | 1000:1 |
| Advanced contrast | 5M:1 |
| Response time (GTG) | 4ms |
| Viewing zone | horizontal/vertical: 178°/178°, right/left: 89°/89°, up/down: 89°/89° |
| Colour support | 16.7mln |
| Horizontal Sync | 30 - 89kHz |
| Viewable area W x H | 535.4 x 338.7mm, 21.1 x 13.3" |
| Pixel pitch | 0.279x0.282mm |
| Colour | matte |

02 INTERFACES / CONNECTORS / CONTROLS

| | |
|---------------------|--|
| Signal input | VGA x1 (max. 1920 x 1200 @60Hz) HDMI x1 (max. 1920 x 1200 @60Hz) DisplayPort x1 (max. 1920 x 1200 @75Hz) |
| USB HUB | x2 (v.2.0) |
| HDCP | yes |
| Headphone connector | yes |

03 FEATURES

| | |
|-----------------------|---|
| Blue light reducer | yes |
| Flicker free | yes |
| Adaptive Sync support | DisplayPort @48-75Hz |
| OSD languages | EN, DE, FR, RU, JP, NL, PL |
| Control buttons | Auto, -/ ECO, +/- Volume/Blue Light Reducer, Menu, Power |
| User controls | luminance (contrast, brightness, i-Style Colour, ACR, ECO), image settings (pixel clock, phase, H. position, V. position, aspect ratio), colour settings (gamma, 6-axis, colour temp.), OSD (H. position, V. position, OSD timeout, language), extra (reset, DDC/CI, signal select, OverDrive, audio source, opening logo, FreeSync, information) |
| Speakers | 2 x 2W |
| Convenience | Kensington-lock™ prepared, DDC/CI, DDC2B, Mac OSX |

04 MECHANICAL

| | |
|------------------------------|-----------------|
| Display position adjustments | tilt |
| Tilt angle | 22° up; 5° down |
| VESA mounting | 100 x 100mm |
| Operation temperature range | 5°C - 35°C |
| Storage temperature range | - 20°C - 60°C |

05 ACCESSORIES INCLUDED

Cables power (1.8m), USB (1.8m), DP (1.8m)

Other quick start guide, safety guide

06 POWER MANAGEMENT

Power supply unit internal

Power supply AC 100 - 240V, 50/60Hz

Power usage 27.8W typical, 0.49W stand by, 0.34W off mode

07 SUSTAINABILITY

Regulations TCO Certified, CE, TÜV-Bauart, RoHS support, ErP, WEEE, CU, REACH

Energy efficiency class (Regulation (EU) 2017/1369) F

REACH SVHC above 0.1%: Lead

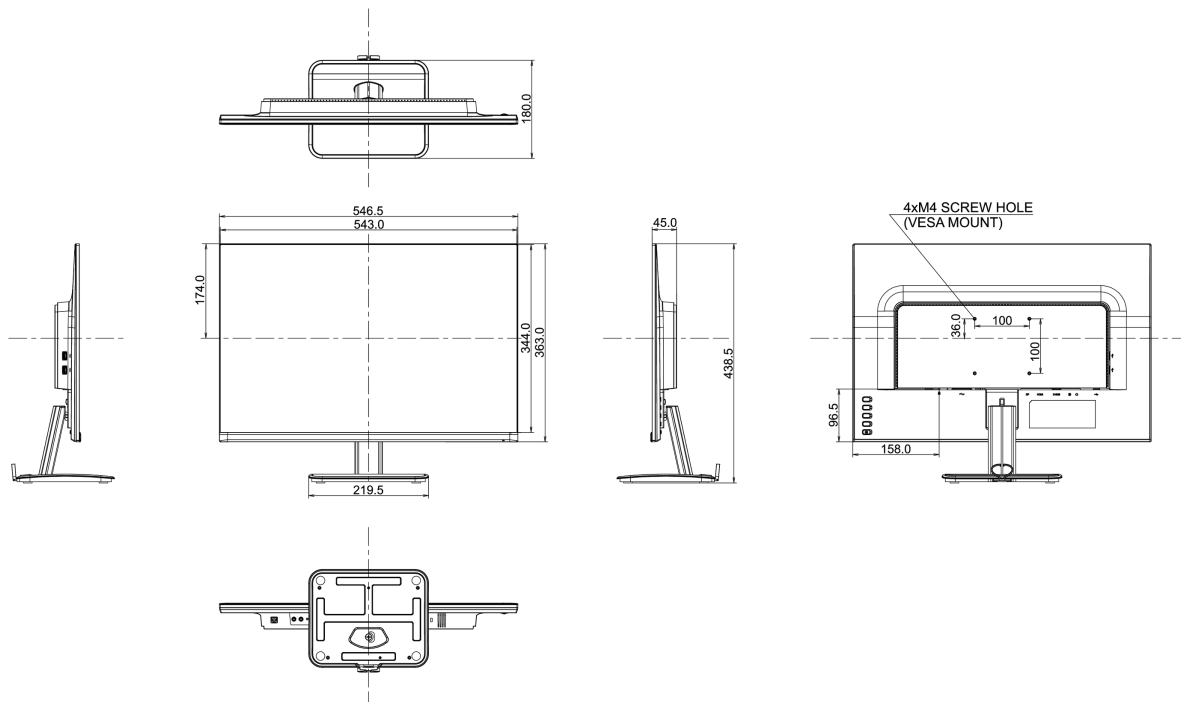
08 DIMENSIONS / WEIGHT

Product dimensions W x H x D 546.5 x 438.5 x 180mm

Weight (without box) 3.9kg

EAN code 4948570116720

XI/2595WSU



All trademarks and registered trademarks acknowledged. E & O E. Specification subject to change without notice. All LCD's comply with ISO-9241-307:2008 in connection with pixel defects.

© IIYAMA CORPORATION. ALL RIGHTS RESERVED

04.05.2024 07:49:14