

55" Professional Digital Signage display with an 24/7 operating time and 2500cd/m² brightness

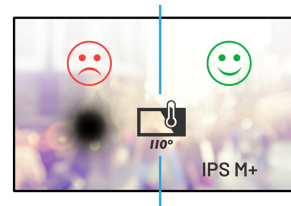
Enjoy the sun with the ProLite LH5510HSHB. A professional high-brightness Full HD (1920x1080) digital signage display with 2500cd/m² for a crystal-clear image in any brightly-lit environment. Featuring a non-blackening IPS M+ LED panel for exceptional and long-lasting colour and image performance and a 50% lower power consumption than industry average.

The LH5510HSHB comes with a landscape and portrait orientation and 24/7 operating time, offering businesses an effective and energy-efficient solution to help capture their audience's attention in even the brightest of places.



Sunlight readable

This display features a high-brightness which makes it ideal for brightly-lit environments and sunny locations such as shop windows. The high-brightness ensures that your content is always clearly visible even when the sun is shining directly on your display.



LED blackening effect free

LED blackening or solar clearing happens when a regular LED display is installed in a location with direct sunlight on the display. The sunlight will heat-up the display and cause the LED's to discolour and eventually turn black. A blackening effect free LED panel is specially designed to withstand higher temperatures up to 110 degrees Celsius of the LED panel preventing discolouration of the LED cells because of direct sunlight exposure.

01 DISPLAY CHARACTERISTICS

Diagonal	55", 138.8cm
Panel	IPS M+ LED, matte finish
Native resolution	1920 x 1080 @60Hz (2.1 megapixel Full HD)
Aspect ratio	16:9
Panel brightness	2500 cd/m ²
Static contrast	1000:1
Response time (GTG)	9ms
Viewing zone	horizontal/vertical: 178°/178°, right/left: 89°/89°, up/down: 89°/89°
Colour support	16.7mIn 8bit
Horizontal Sync	30 - 83kHz
Viewable area W x H	1209.6 x 680.4mm, 47.6 x 26.8"
Bezel width (sides, top, bottom)	15.3mm, 15.3mm, 15.3mm
Pixel pitch	0.630mm
Bezel colour and finish	black, matte

02 INTERFACES / CONNECTORS / CONTROLS

Analog signal input	VGA x1
Digital signal input	DVI x1 HDMI x1 DisplayPort x1
Audio input	Mini jack x1
Monitor control input	RS-232c x1
Audio output	Speakers 2 x 5W
HDCP	yes

03 FEATURES

Extra	LCD Blacking Defect Free (H-Tni 110°C), handles, portrait orientation left and right, Sunlight readable
Max. non-stop operating time	24/7
Housing (bezel)	metal
Brightness sensor	yes

04 GENERAL

OSD languages	EN
Control buttons	Power, Up / Input Select, Menu, Down/ Brightness
User controls	brightness (OSD brightness, ambient light sensor OSD offset, brightness, contrast, exit), signal select, sound (volume, mute, exit), colour (sRGB, colour temperature, exit), image (auto adjustment, clock, phase, H. position, V. position, exit), tools (OSD control, reset, sharpness, 640/720, exit), exit
Plug&Play	DDC2B, Mac OSX

05 MECHANICAL

Orientation	landscape, portrait
Fanless design	yes
VESA mounting	400 x 200mm, 400 x 300mm

Operation temperature range	0°C - 50°C
Storage temperature range	- 20°C - 60°C
MTBF	100000 hours

06 ACCESSORIES INCLUDED

Cables	power (1.8m), HDMI (1.8m), RS-232c (2.5m)
Guides	quick start guide, safety guide
Other	light sensor cable

07 POWER MANAGEMENT

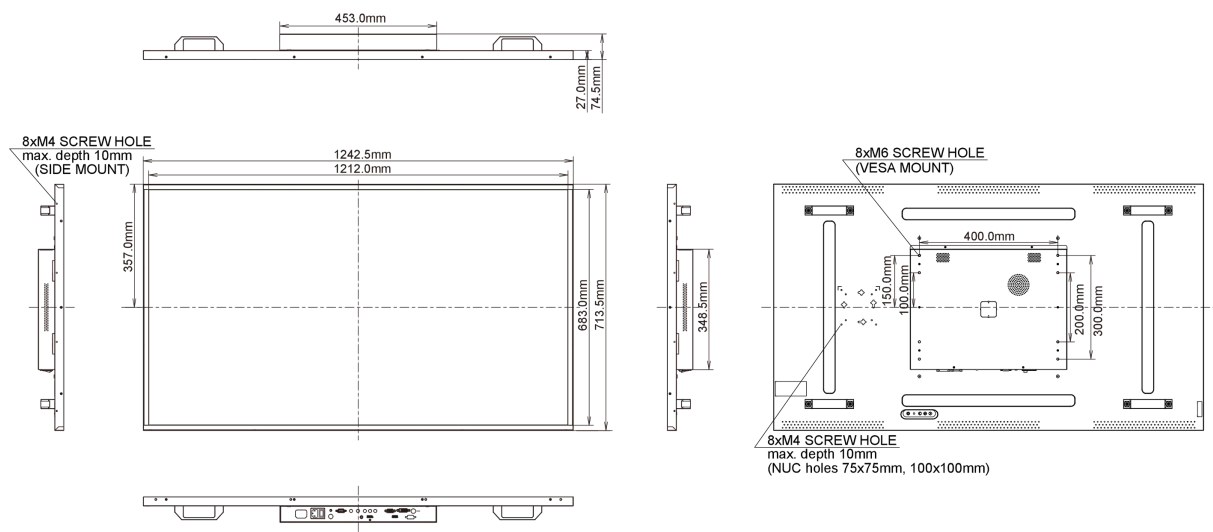
Power supply unit	internal
Power supply	AC 100 - 240V, 50/60Hz
Power usage	175W typical, 16.5W stand by, 10W off mode

08 SUSTAINABILITY

Regulations	CB, CE, TÜV-Bauart, RoHS support, ErP, WEEE, CU, REACH
REACH SVHC	above 0.1%: Lead

09 DIMENSIONS / WEIGHT

Product dimensions W x H x D	1242.6 x 713.6 x 74.5mm
Box dimensions W x H x D	1386 x 835 x 212mm
Weight (without box)	37.5kg
EAN code	4948570116614



All trademarks and registered trademarks acknowledged. E & O E. Specification subject to change without notice. All LCD's comply with ISO-9241-307:2008 in connection with pixel defects.

© IYAMA CORPORATION. ALL RIGHTS RESERVED