



### A Full HD LED monitor with 1 ms response

The ProLite E2482HS is an excellent 24" Full HD LED-backlit monitor with 1920 x 1080p resolution. It features 1ms response time and 80 000 000 : 1 Advanced Contrast Ratio, assuring clear and vibrant picture quality and high contrast. Triple Input support ensures compatibility with the latest installed graphics cards and embedded Notebook outputs. The E2482HS is also equipped with two high quality stereo speakers. TCO Certified, this monitor is a reliable solution for both home and office use.



#### Full HD

With true 1920 x 1080p resolution your monitor is ready to display high definition images. This means you can accommodate more information on your screen; e.g. 60% more in comparison to a 1280 x 1024 monitor.



#### Flicker-free + Blue light

The ultimate solution for the comfort and health of your eyes. Flicker-free monitors with the blue light reducer function substantially reduce the strain and fatigue caused by flickering and blue light emittance of regular monitors.

## 01 DISPLAY CHARACTERISTICS

|                     |   |
|---------------------|---|
| Diagonal            | 24", 61cm   |
| Panel               | TN LED, matte finish  |
| Native resolution   | 1920 x 1080 (2.1 megapixel Full HD)                                   |
| Aspect ratio        | 16:9  |
| Panel brightness    | 250 cd/m <sup>2</sup>   |
| Static contrast     | 1000:1  |
| Advanced contrast   | 80M:1   |
| Response time (GTG) | 1ms   |
| Viewing zone        | horizontal/vertical: 170°/160°, right/left: 85°/85°, up/down: 80°/80° |
| Colour support      | 16.7mIn (sRGB: 99%; NTSC: 72%)  |
| Horizontal Sync     | 30 - 80kHz  |
| Viewable area W x H | 531.4 x 298.9mm, 20.5 x 11.5"   |
| Pixel pitch         | 0.277mm   |
| Colour              | matte   |

## 02 INTERFACES / CONNECTORS / CONTROLS

|                     |                             |
|---------------------|-----------------------------|
| Signal input        | VGA x1<br>DVI x1<br>HDMI x1 |
| HDCP                | yes                         |
| Headphone connector | yes                         |

## 03 FEATURES

|                    |  |
|--------------------|--|
| Blue light reducer | yes  |
| Flicker free       | yes  |
| OSD languages      | EN, DE, FR, ES, IT, CN, RU, JP, CZ, NL, PL   |
| Control buttons    | Power, Menu/ Select, Scroll up/ Volume, Scroll down/ ECO, Exit, Auto   |
| User controls      | auto adjust, luminance (brightness, contrast), geometry (H. position, V. position, pixel clock, phase), colour, OSD (H.position, V. poition, OSD time), language, recall, miscellaneous (sharpness, DDC/CI, display information, ACR, display mode, overdrive, opening logo), input select, audio (volume, mute, HDMI audio) |
| Speakers           | 2 x 1W   |
| Convenience        | Kensington-lock™ prepared, DDC/CI, DDC2B, Mac OSX  |

## 04 MECHANICAL

|                              |                 |
|------------------------------|-----------------|
| Display position adjustments | tilt            |
| Tilt angle                   | 22° up; 5° down |
| VESA mounting                | 100 x 100mm     |

## 05 ACCESSORIES INCLUDED

|        |  |
|--------|--|
| Cables | power (1.5m), DVI (1.5m), Audio (1.5m) |
| Other  | quick start guide, safety guide        |

## 06 POWER MANAGEMENT

|                   |   |
|-------------------|---|
| Power supply unit | internal                                      |
| Power supply      | AC 100 - 240V, 50/60Hz                        |
| Power usage       | 24.9W typical, 0.32W stand by, 0.27W off mode |

## 07 SUSTAINABILITY

|             |   |
|-------------|---|
| Regulations | TCO Certified, CE, TÜV-GS, VCCI-B, PSE, RoHS support, ErP, WEEE, EPEAT, CU, REACH, ENERGY STAR® * (*This model meets old ENERGY STAR® criteria only.) |
|-------------|---|

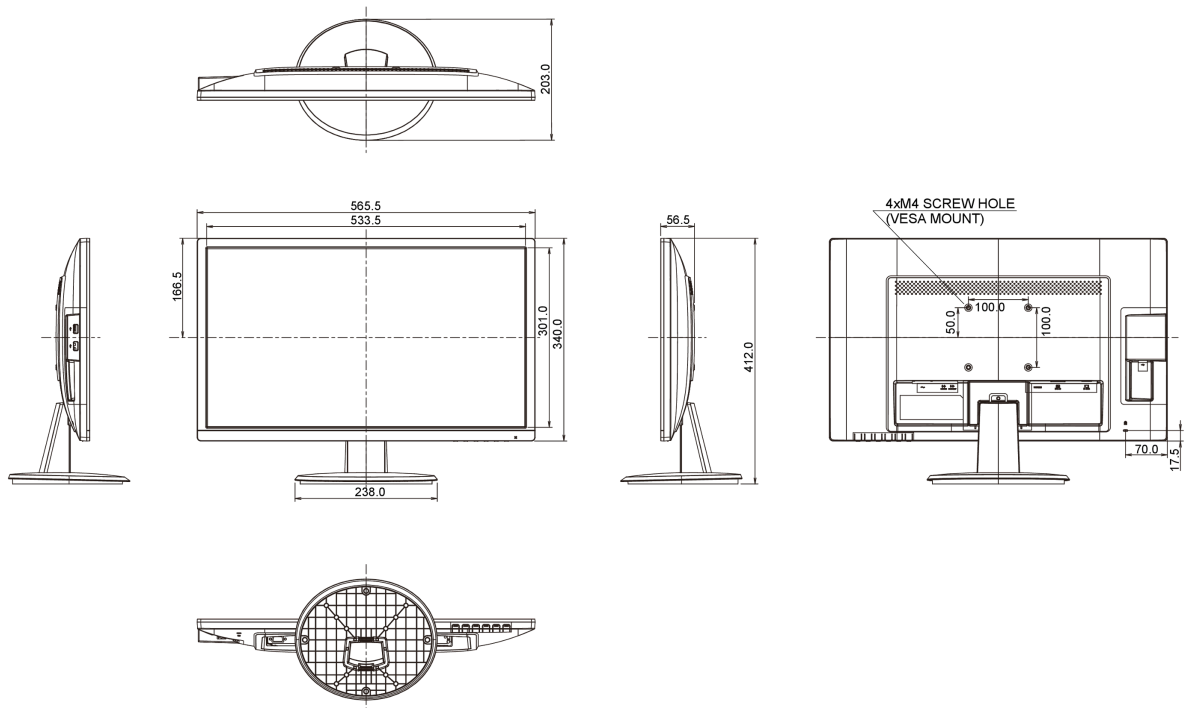
|            |                  |
|------------|------------------|
| REACH SVHC | above 0.1%: Lead |
|------------|------------------|

## 08 DIMENSIONS / WEIGHT

|                              |                     |
|------------------------------|---------------------|
| Product dimensions W x H x D | 565.5 x 412 x 203mm |
|------------------------------|---------------------|

|                      |       |
|----------------------|-------|
| Weight (without box) | 3.4kg |
|----------------------|-------|

|          |               |
|----------|---------------|
| EAN code | 4948570116553 |
|----------|---------------|



All trademarks and registered trademarks acknowledged. E & O E. Specification subject to change without notice. All LCD's comply with ISO-9241-307:2008 in connection with pixel defects.

© IIYAMA CORPORATION. ALL RIGHTS RESERVED