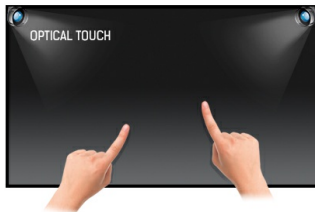




21.5" dual touchscreen, based on Optical touch technology

The ProLite T2253MTS-B1 is based on optical touch technology (2 touch points) with a pure-glass scratch resistive front, offering superior image clarity and screen durability. The screen can be touched with a soft stylus, finger or gloved hand making it suitable for several applications. A solid and steady base supports the touchscreen with an adjustable stand. Multiple inputs (VGA, HDMI, DVI) are available for flexible connectivity along with USB for the touch interface.



Touch technology - Optical

This technology uses cameras. A touch event is registered with great accuracy when light is blocked by a finger or stylus. It's the only touch technology that does not rely on an overlay or substrate to register a touch, so it's impossible to physically "wear out" the touchscreen. In fact you don't really have to physically touch the screen.



OverDrive ON / OFF

When very fast graphics are displayed your monitor can sometimes get blurry. Turning on the OverDrive feature will eliminate that.

01 DISPLAY CHARACTERISTICS

| | |
|-------------------------|---|
| Diagonal | 21.5", 54.7cm |
| Panel | TN LED-backlit |
| Native resolution | 1920 x 1080 (2.1 megapixel Full HD) |
| Aspect ratio | 16:9 |
| Panel brightness | 250 cd/m ² |
| Brightness | 220 cd/m ² with touch |
| Light transmittance | 88% |
| Static contrast | 1000:1 |
| Advanced contrast | 12M:1 |
| Response time (GTG) | 2ms |
| Viewing zone | horizontal/vertical: 170°/160°, right/left: 85°/85°, up/down: 80°/80° |
| Colour support | 16.7mln |
| Horizontal Sync | 30 - 80kHz |
| Viewable area W x H | 476.64 x 268.11mm, 18.8 x 10.6" |
| Pixel pitch | 0.248mm |
| Bezel colour and finish | black, matte |

02 TOUCH

| | |
|-----------------------------|---|
| Touch technology | optical |
| Touch points | 2 (HID, only with supported OS) |
| Touch method | stylus, finger, glove |
| Touch interface | USB |
| Supported operating systems | All iiyama monitors are Plug & Play and compatible with Windows and Linux. For details regarding the supported OS for the touch models, please refer to the driver instruction file available in the downloads section. |

03 INTERFACES / CONNECTORS / CONTROLS

| | |
|----------------------|-------------------|
| Analog signal input | VGA x1 |
| Digital signal input | DVI x1 HDMI x1 |
| Audio output | Speakers 2 x 2W |
| HDCP | yes |
| USB HUB | x2 (2.0) |

04 FEATURES

| | |
|-----------------|--------|
| Glass thickness | 1.85mm |
| Glass hardness | 8H |
| OSD key lock | yes |

05 GENERAL

| | |
|-----------------|---|
| OSD languages | EN, DE, FR, ES, IT, RU, JP, CZ, NL, PL |
| Control buttons | Power, Menu/ Enter, Scroll up/ Audio, Scroll down/ ECO, Input/ Exit |

User controls

auto adjust, picture adjust (brightness, contrast, ECO, Blue Light Reducer, ACR, OD, gamma, X-res technology), geometry (H. position, V. position, pixel clock, phase), colour settings (colour temperature, user preset, hue, saturation, i-Style colour), OSD (OSD H. position, OSD V. position, OSD time, after AC cut), language, recall, miscellaneous (sharp and soft, video mode adjust, opening logo, DDC/CI, display information), input source, audio settings (volume, mute audio, audio input)

Convenience

Kensington-lock™ prepared

Blue light reducer

yes

Plug&Play

DDC/CI, DDC2B

06 MECHANICAL**Tilt angle**

73° up; 3° down

VESA mounting

100 x 100mm

07 ACCESSORIES INCLUDED**Cables**

power (1.8m), USB (1.8m), HDMI (1.8m)

Guides

quick start guide, safety guide

08 POWER MANAGEMENT**Power supply unit**

internal

Power supply

AC 100 - 240V, 50/60Hz

Power usage

18.4W typical, 0.26W stand by, 0.23W off mode

09 SUSTAINABILITY**Regulations**

CE, TÜV-Bauart, EAC, RoHS support, ErP, WEEE, CU, REACH

REACH SVHC

above 0.1%: Lead

10 DIMENSIONS / WEIGHT**Product dimensions W x H x D**

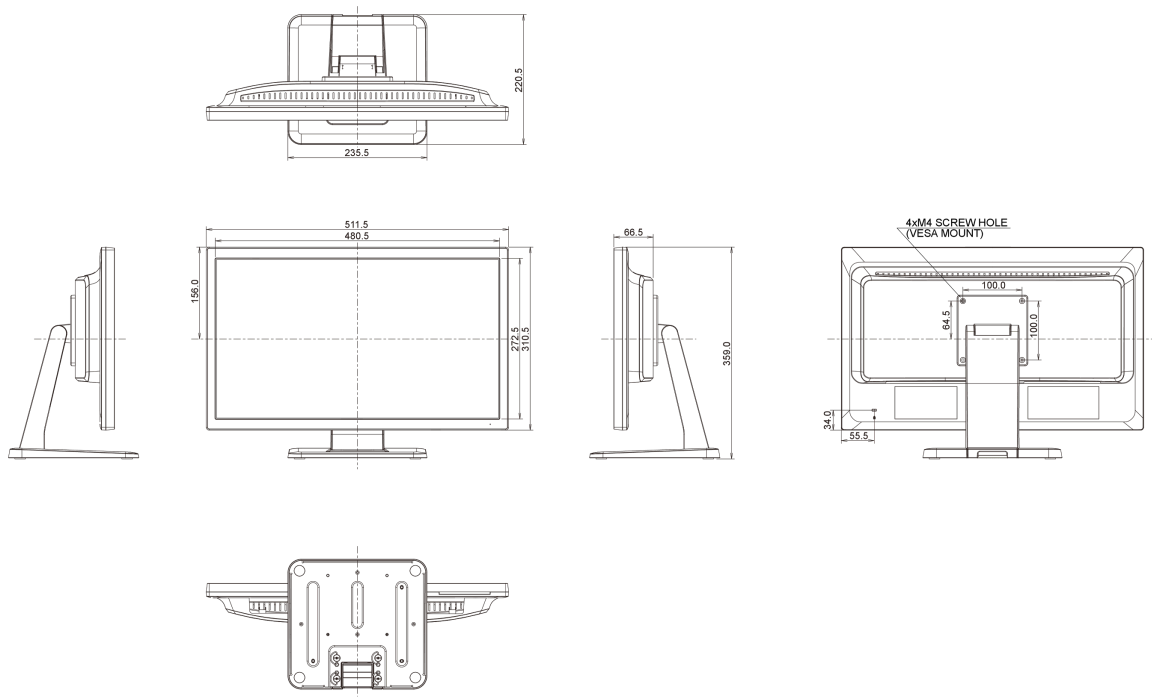
511.5 x 539 x 220.5mm

Weight (without box)

5.6kg

EAN code

4948570116492



All trademarks and registered trademarks acknowledged. E & O E. Specification subject to change without notice. All LCD's comply with ISO-9241-307:2008 in connection with pixel defects.

© IIYAMA CORPORATION. ALL RIGHTS RESERVED