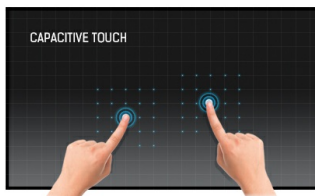




**15.6" P-Cap 10 point multi-touch monitor with edge-to-edge glass**

The 15.6" LED-backlit ProLite T1633MC-B1 uses Projective Capacitive Multi-Touch Technology and is built into an eye catching bezel with edge-to-edge glass. The screen features a 1366 x 768 resolution, triple inputs (HDMI, DisplayPort, VGA) and USB Hub, comes with a rugged bezel and IP54 rated front making it suitable for demanding environments. The ProLite T1633MC-B1 is the ideal solution for in-store retail and kiosk integration.



**Touch technology - Capacitive**

This technology uses a sensor-grid of micro-fine wires integrated into the glass that covers the screen. Touch is detected because electrical characteristics of the sensor grid change when human finger is placed on the glass. Thanks to the glass overlay this technology is highly durable, and the touch function remains unaffected even if the glass is scratched. It offers perfect picture performance and will work with human finger (also latex gloved) and stylus-pen.



**Scratch resistance**

Scratch resistance is essential for touch solutions used in public places and schools. This is achieved thanks to a glass overlay covering the screen. It guarantees high durability of the touch function and even more importantly the touch function remains unaffected even if the glass is scratched.

## 01 DISPLAY CHARACTERISTICS

<b>Design</b>	Edge to edge glass
<b>Diagonal</b>	15.6", 39.5cm
<b>Panel</b>	TN LED
<b>Native resolution</b>	1366 x 768 @60Hz (1.0 megapixel)
<b>Aspect ratio</b>	16:9
<b>Panel brightness</b>	300 cd/m <sup>2</sup>
<b>Brightness</b>	255 cd/m <sup>2</sup> with touch
<b>Light transmittance</b>	85%
<b>Static contrast</b>	500:1 with touch
<b>Response time (GTG)</b>	6ms
<b>Viewing zone</b>	horizontal/vertical: 160°/160°, right/left: 80°/80°, up/down: 80°/80°
<b>Colour support</b>	16.7mln
<b>Horizontal Sync</b>	31.4 - 60.3kHz
<b>Viewable area W x H</b>	344.2 x 193.6mm, 13.6 x 7.6"
<b>Pixel pitch</b>	0.252mm
<b>Bezel colour and finish</b>	black, matte

## 02 TOUCH

<b>Touch technology</b>	projective capacitive
<b>Touch points</b>	10 (HID, only with supported OS)
<b>Touch method</b>	stylus, finger, glove (latex)
<b>Touch interface</b>	USB
<b>Supported operating systems</b>	All iiyama monitors are Plug & Play and compatible with Windows and Linux. For details regarding the supported OS for the touch models, please refer to the driver instruction file available in the downloads section.
<b>Palm rejection</b>	No

## 03 INTERFACES / CONNECTORS / CONTROLS

<b>Analog signal input</b>	VGA x1
<b>Digital signal input</b>	HDMI x1 DisplayPort x1
<b>HDCP</b>	yes
<b>USB HUB</b>	x2 (v.2.0)

## 04 FEATURES

<b>Glass thickness</b>	1.5mm
<b>Water and dust protection</b>	IP54 (front)
<b>OSD key lock</b>	yes

## 05 GENERAL

<b>OSD languages</b>	EN, DE, FR, ES, IT, PT, CN, RU, JP, CZ, NL, PL
<b>Control buttons</b>	Auto/Input Select, -/Eco Button, +/Blue Light Reducer Button, Menu, Power

**User controls**

luminance (contrast, brightness, i-Style color, adv. contrast, overdrive), image setup (clock, phase, H. position, V. position, aspect ratio), color temp., OSD setup (H. position, V. position, timeout, language, touch wake up), extra (input select, DDC/CI, reset, information, resolution, H. frequency, V. frequency, opening logo, LED)

**Convenience**

Kensington-lock™ prepared

**Blue light reducer**

yes

**Plug&Play**

DDC2B

**06 MECHANICAL****Tilt angle**

90° up; 25° down

**VESA mounting**

100 x 100mm

**Cable management system**

yes

**07 ACCESSORIES INCLUDED****Cables**

power (1.8m), USB (1.8m), HDMI (1.8m), DP (1.8m)

**Guides**

quick start guide, safety guide

**Other**

AC adapter

**Cable cover**

yes

**08 POWER MANAGEMENT****Power supply unit**

external

**Power supply**

DC 12 V

**Power usage**

13,5W typical, 2W stand by, 2W off mode

**09 SUSTAINABILITY****Regulations**

CB, CE, TÜV-Bauart, EAC, RoHS support, ErP, WEEE, REACH, UKCA

**Energy efficiency class (Regulation (EU) 2017/1369)**

F

**REACH SVHC**

above 0.1%: Lead

**10 DIMENSIONS / WEIGHT****Product dimensions W x H x D**

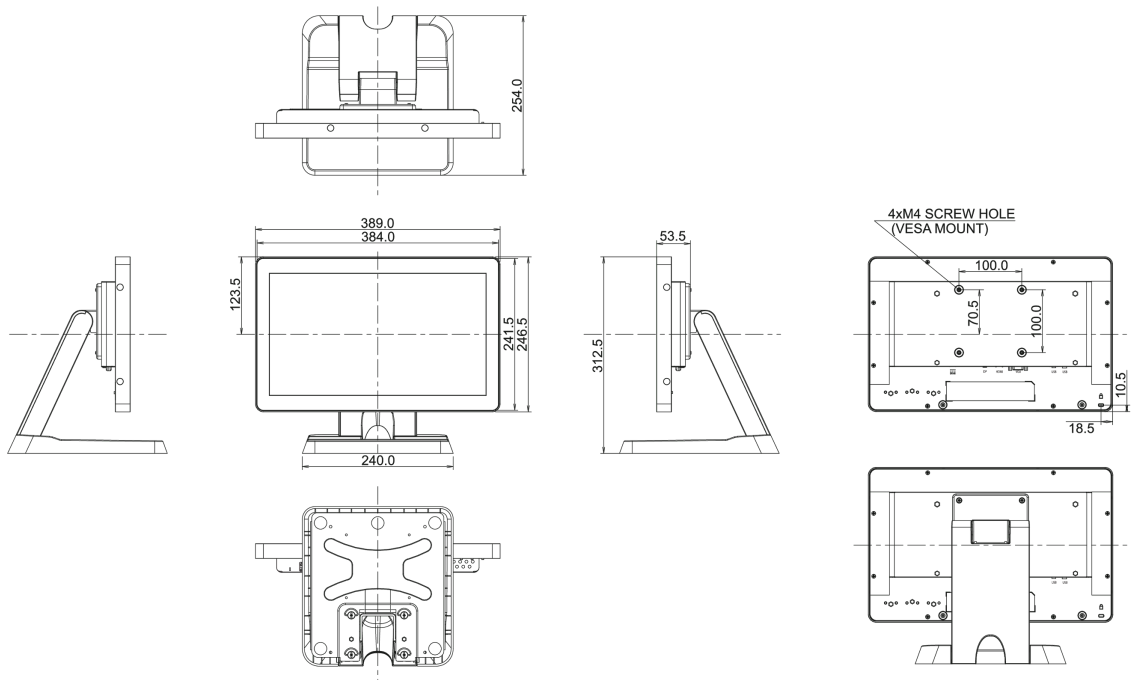
389 x 312.5 x 254mm

**Weight (without box)**

4.5kg

**EAN code**

4948570116393



All trademarks and registered trademarks acknowledged. E & O E. Specification subject to change without notice. All LCD's comply with ISO-9241-307:2008 in connection with pixel defects.

© IIYAMA CORPORATION. ALL RIGHTS RESERVED