



22.5" 1920 x 1200 monitor featuring IPS panel technology

The demanding data and application heavy world needs a display that creates a more productive work place. With 1920 x 1200 resolution, the XU2395WSU offers 11% more height with the same width as a Full HD display, which works much better for spreadsheets, word documents and browsing the Internet. The IPS panel technology assures accurate and consistent colour reproduction with wide viewing angles. VESA mountable and ideal for dual display applications, the XU2395WSU is an ideal partner for an iiyama dual monitor arm or stand.

Available also with height adjustable stand : [ProLite XUB2395WSU-B5](#)



IPS

IPS displays are best known for wide viewing angles and natural, highly accurate colours. They are especially suited for colour-critical applications.



Flicker-free + Blue light

The ultimate solution for the comfort and health of your eyes. Flicker-free monitors with the blue light reducer function substantially reduce the strain and fatigue caused by flickering and blue light emittance of regular monitors.

01 DISPLAY CHARACTERISTICS

Design	ultra slim
Diagonal	22.5", 57.15cm
Panel	IPS LED, matte finish
Native resolution	1920 x 1200 (2.3 megapixel WUXGA)
Aspect ratio	16:10
Panel brightness	250 cd/m ²
Static contrast	1000:1
Advanced contrast	5M:1
Response time (GTG)	4ms
Viewing zone	horizontal/vertical: 178°/178°, right/left: 89°/89°, up/down: 89°/89°
Colour support	16.7mIn (sRGB: 99%, NTSC: 72%)
Horizontal Sync	30 - 89kHz
Viewable area W x H	488.2 x 297.2mm, 19.2 x 11.7"
Pixel pitch	0.254x0.248mm
Colour	matte

02 INTERFACES / CONNECTORS / CONTROLS

Signal input	VGA x1 (max. 1920 x 1200 @60Hz) HDMI x1 (max. 1920 x 1200 @60Hz) DisplayPort x1 (max. 1920 x 1200 @75Hz)
USB HUB	x2 (v.2.0)
HDCP	yes
Headphone connector	yes

03 FEATURES

Blue light reducer	yes
Flicker free	yes
Adaptive Sync support	DisplayPort
OSD languages	EN, DE, FR, RU, JP, NL, PL
Control buttons	Auto, -/ ECO, +/- Volume/Blue Light Reducer, Menu, Power
User controls	luminance (contrast, brightness, i-Style Colour, ACR, ECO), image settings (pixel clock, phase, H. position, V. position, aspect ratio), colour settings (gamma, colour temp.), OSD (H. position, V. position, OSD timeout, language), extra (reset, DDC/CI, signal select, OD, audio input, opening logo, information)
Speakers	2 x 2W
Convenience	Kensington-lock™ prepared, DDC/CI, DDC2B, Mac OSX

04 MECHANICAL

Display position adjustments	tilt
Tilt angle	20° up; 4° down
VESA mounting	100 x 100mm

05 ACCESSORIES INCLUDED

Cables	power, USB, DP
Other	quick start guide, safety guide

06 POWER MANAGEMENT

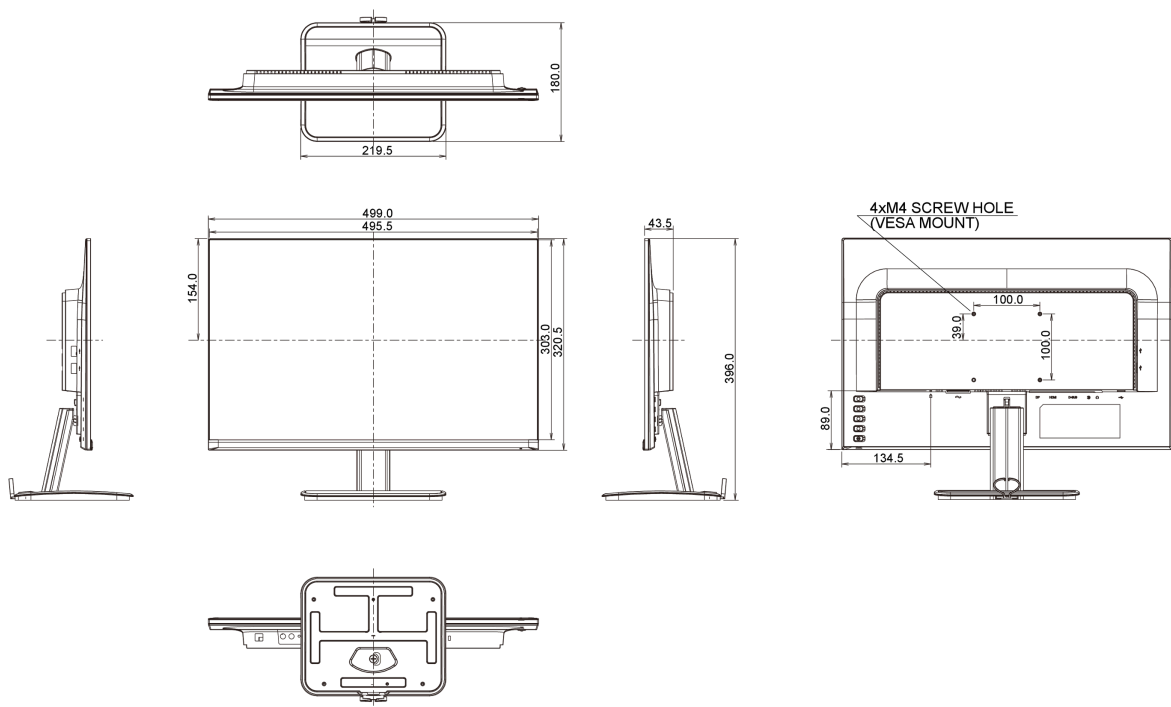
Power supply unit	internal
Power supply	AC 100 - 240V, 50/60Hz
Power usage	23.2W typical, 0.49W stand by, 0.33W off mode

07 SUSTAINABILITY

Regulations	TCO Certified, CE, TÜV-Bauart, EAC, RoHS support, ErP, WEEE, REACH
Energy efficiency class (Regulation (EU) 2017/1369)	E
REACH SVHC	above 0.1%: Lead

08 DIMENSIONS / WEIGHT

Product dimensions W x H x D	499 x 396 x 180mm
Weight (without box)	4kg
EAN code	4948570116379



All trademarks and registered trademarks acknowledged. E & O E. Specification subject to change without notice. All LCD's comply with ISO-9241-307:2008 in connection with pixel defects.

© IYAMA CORPORATION. ALL RIGHTS RESERVED