



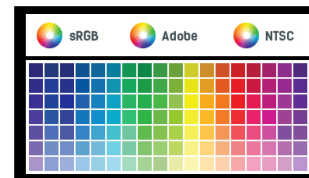
High-colour gamut 28" screen perfect for Photographic Design and Web-design

Capable of displaying 95% of the NTSC colour gamut, with the standard for an LCD screen being 72%, the ProLite X2888HS-B2 featuring VA technology offers beyond superb colour reproduction. The sophisticated panel technology provides 24 bit 'True Colour' support and superior black and white display performance even if you are looking at the screen from the side. The X2888HS-B2 is an ideal screen for demanding users who settle for nothing but the best image quality.



MVA

MVA technology offers higher contrast, darker blacks and much better viewing angles than standard TN technology. The screen will look good no matter what angle you look at it.



High colour gamut

Colour gamut tells you how large the colour range of a monitor is. High colour gamut panels can display a wider range of truly deep and vivid colours.

01 DISPLAY CHARACTERISTICS

Diagonal	28", 71cm
Panel	MVA LED, matte finish
Native resolution	1920 x 1080 (2.1 megapixel Full HD)
Aspect ratio	16:9
Panel brightness	300 cd/m ²
Static contrast	3 000:1
Advanced contrast	12M:1
Response time (GTG)	5ms
Viewing zone	horizontal/vertical: 178°/178°, right/left: 89°/89°, up/down: 89°/89°
Colour support	16.7mIn (sRGB: 131%, NTSC: 95%)
Horizontal Sync	30 - 80kHz
Viewable area W x H	620.9 x 341.2mm, 24.4 x 13.4"
Pixel pitch	0.32mm
Colour	matte

02 INTERFACES / CONNECTORS / CONTROLS

Signal input	VGA x1 DVI x1 HDMI x1 DisplayPort x1
HDCP	yes
Headphone connector	yes

03 FEATURES

Blue light reducer	yes
Flicker free	yes
OSD languages	EN, DE, FR, CN, RU, JP, NL, PL
Control buttons	Power, Input/ Select/ Blue Light Reducer, Scroll up/ Volume, Scroll down/ i-Style Colour, Menu
User controls	auto adjust, picture adjust (contrast, brightness, ACR, ECO, OD), input select, audio adjust (volume, mute, audio input), colour adjust (sRGB, Adobe RGB, cool, normal, warm, user color, i-Style color), information, manual image adjust (H./V. Position, clock, phase, sharpness, video mode adjust, blue light reducer, X-res technology), setup menu (language select, OSD position, OSD time out, OSD background, opening logo, LED), memory recall
Speakers	2 x 3W
Convenience	Kensington-lock™ prepared, DDC2B, Mac OSX

04 MECHANICAL

Display position adjustments	tilt
Tilt angle	20° up; 3° down
VESA mounting	100 x 100mm

05 ACCESSORIES INCLUDED

Cables	power, DVI, Audio
Other	quick start guide, safety guide

06 POWER MANAGEMENT

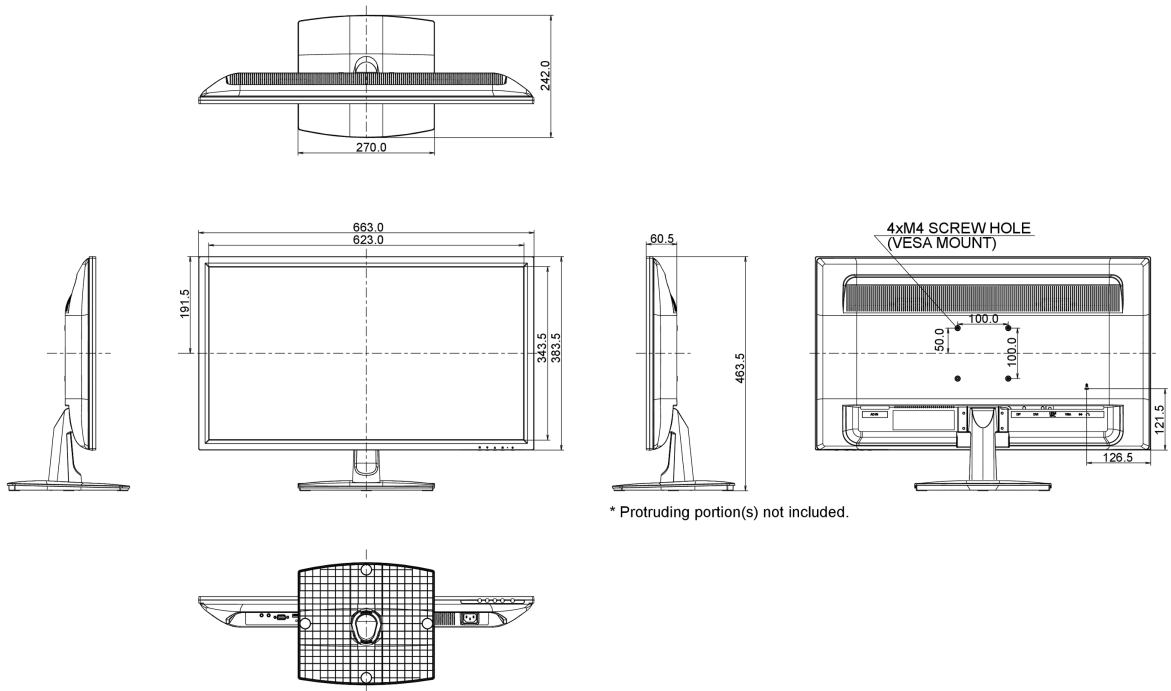
Power supply unit	internal
Power supply	AC 100 - 240V, 50/60Hz
Power usage	32W typical, 0.5W stand by, 0.5W off mode

07 SUSTAINABILITY

Regulations	CE, TÜV-Bauart, EAC, VCCI-B, PSE, RoHS support, ErP, WEEE, REACH
REACH SVHC	above 0.1%: Lead

08 DIMENSIONS / WEIGHT

Product dimensions W x H x D	663 x 463.5 x 240mm
Weight (without box)	5.3kg
EAN code	4948570114306



All trademarks and registered trademarks acknowledged. E & O E. Specification subject to change without notice. All LCD's comply with ISO-9241-307:2008 in connection with pixel defects.

© IYAMA CORPORATION. ALL RIGHTS RESERVED