



### 22" 10 point multi-touch monitor with Edge to Edge glass

With 1920x1080 Full HD resolution and Projective Capacitive 10 point touch technology, the ProLite T2235MSC delivers seamless and accurate touch response. Featuring VA LED-backlit LCD screen technology, it offers exceptional colour performance and wide viewing angles, making it an excellent choice for a vast array of demanding interactive applications. Users can benefit from its hinged stand allowing the monitor to lay down completely flat for use as a giant tablet. The T2235MSC comes equipped with several video inputs and stereo speakers delivering good quality sound. An ideal screen for Interactive Digital Signage, InStore Retail, Gaming and Interactive Presentations purposes.



#### Touch technology - Capacitive

This technology uses a sensor-grid of micro-fine wires integrated into the glass that covers the screen. Touch is detected because electrical characteristics of the sensor grid change when human finger is placed on the glass. Thanks to the glass overlay this technology is highly durable, and the touch function remains unaffected even if the glass is scratched. It offers perfect picture performance and will work with human finger (also latex gloved) and stylus-pen.



#### VA

VA panel technology offers higher contrast, darker blacks and much better viewing angles than standard TN technology. The screen will look good no matter what angle you look at it.

## 01 DISPLAY CHARACTERISTICS

|                                |   |
|--------------------------------|---|
| <b>Design</b>                  | Edge to edge glass  |
| <b>Diagonal</b>                | 21.5", 54.7cm   |
| <b>Panel</b>                   | VA LED  |
| <b>Native resolution</b>       | 1920 x 1080 (2.1 megapixel Full HD)                                   |
| <b>Aspect ratio</b>            | 16:9  |
| <b>Panel brightness</b>        | 250 cd/m <sup>2</sup>   |
| <b>Brightness</b>              | 225 cd/m <sup>2</sup> with touch                                      |
| <b>Light transmittance</b>     | 90%   |
| <b>Static contrast</b>         | 3 000:1 with touch  |
| <b>Advanced contrast</b>       | 12M:1   |
| <b>Response time (GTG)</b>     | 6ms   |
| <b>Viewing zone</b>            | horizontal/vertical: 176°/176°, right/left: 88°/88°, up/down: 88°/88° |
| <b>Colour support</b>          | 16.7mln   |
| <b>Horizontal Sync</b>         | 30 - 80kHz  |
| <b>Viewable area W x H</b>     | 476.1 x 267.8mm, 18.7 x 10.5"   |
| <b>Pixel pitch</b>             | 0.248mm   |
| <b>Bezel colour and finish</b> | black, matte  |

## 02 TOUCH

|                                    |   |
|------------------------------------|---|
| <b>Touch technology</b>            | projective capacitive   |
| <b>Touch points</b>                | 10 (HID, only with supported OS)  |
| <b>Touch method</b>                | stylus, finger, glove (latex)   |
| <b>Touch interface</b>             | USB   |
| <b>Supported operating systems</b> | All iiyama monitors are Plug & Play and compatible with Windows and Linux. For details regarding the supported OS for the touch models, please refer to the driver instruction file available in the downloads section. |

## 03 INTERFACES / CONNECTORS / CONTROLS

|                             |                          |
|-----------------------------|--------------------------|
| <b>Analog signal input</b>  | VGA x1                   |
| <b>Digital signal input</b> | DVI x1<br>DisplayPort x1 |
| <b>Audio output</b>         | Speakers 2 x 2W          |

## 04 FEATURES

|                     |     |
|---------------------|-----|
| <b>OSD key lock</b> | yes |
|---------------------|-----|

## 05 GENERAL

|                        |   |
|------------------------|---|
| <b>OSD languages</b>   | EN, DE, FR, IT, CN, RU, JP, CZ, NL, PL  |
| <b>Control buttons</b> | Menu, Scroll up/ Audio Adjust, Scroll down/ i-Style Colour, Select/ Input select, Power   |
| <b>User controls</b>   | auto image adjust, picture adjust (contrast, brightness, ACR, ECO, OD), input select, auto adjust (volume, mute, audio input), colour adjust, information, manual image adjust (H./V. position, clock, phase, sharpness, video mode adjust, blue light reducer, X-Res Technology), setup menu (language select, OSD position, OSD time out, OSD background, opening logo, LED), memory recall |
| <b>Convenience</b>     | Kensington-lock™ prepared   |

**Blue light reducer** yes

**Plug&Play** DDC2B

## 06 MECHANICAL

**Tilt angle** 15° up; 70° down

**VESA mounting** 100 x 100mm

## 07 ACCESSORIES INCLUDED

**Cables** power, DVI, USB, Audio

**Guides** quick start guide, safety guide

## 08 POWER MANAGEMENT

**Power supply unit** internal

**Power supply** AC 100 - 240V, 50/60Hz

**Power usage** 21W typical, 0.5W stand by, 0.5W off mode

## 09 SUSTAINABILITY

**Regulations** CE, TÜV-Bauart, VCCI-B, RoHS support, ErP, WEEE, CU, REACH

**Energy efficiency class (Regulation (EU) 2017/1369)** F

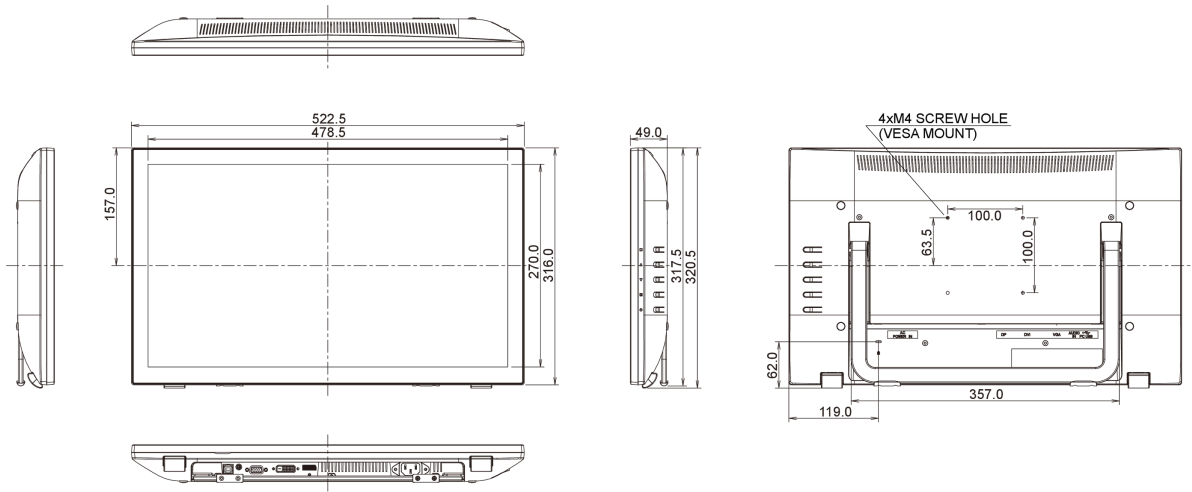
**REACH SVHC** above 0.1%: Lead

## 10 DIMENSIONS / WEIGHT

**Product dimensions W x H x D** 522.5 x 320.5 x 49mm

**Weight (without box)** 5kg

**EAN code** 4948570114320



All trademarks and registered trademarks acknowledged. E & O E. Specification subject to change without notice. All LCD's comply with ISO-9241-307:2008 in connection with pixel defects.

© IIYAMA CORPORATION. ALL RIGHTS RESERVED