



### ProLite B2482HD meets the needs of every user

The ProLite B2482HD is an excellent 24" Full HD LED-backlit monitor with 1920 x 1080p resolution. It features 5ms response time and >12 000 000 : 1 Advanced Contrast Ratio, assuring clear and vibrant picture quality and high contrast. The B2482HD is also Energy Star Certified. Height adjustable stand with PIVOT function makes this monitor an excellent choice for Universities, Corporate and Financial Markets.



ACR

Contrast Ratio is a measurement of the difference between the darkest black and the brightest white your monitor can display. Advanced Contrast Ratio is a feature that automatically adjusts contrast and brightness of the screen to assure perfect picture quality while watching films and playing games.



Full HD

With true 1920 x 1080p resolution your monitor is ready to display high definition images. This means you can accommodate more information on your screen; e.g. 60% more in comparison to a 1280 x 1024 monitor.

## 01 DISPLAY CHARACTERISTICS

|                     |   |
|---------------------|---|
| Diagonal            | 24", 61cm   |
| Panel               | TN LED, matte finish  |
| Native resolution   | 1920 x 1080 (2.1 megapixel Full HD)                                   |
| Aspect ratio        | 16:9  |
| Panel brightness    | 250 cd/m <sup>2</sup>   |
| Static contrast     | 1000:1  |
| Advanced contrast   | 12M:1   |
| Response time (GTG) | 5ms   |
| Viewing zone        | horizontal/vertical: 170°/160°, right/left: 85°/85°, up/down: 80°/80° |
| Colour support      | 16.7mln   |
| Horizontal Sync     | 30 - 80kHz  |
| Viewable area W x H | 531.4 x 298.9mm, 20.9 x 11.8"   |
| Pixel pitch         | 0.277mm   |
| Colour              | matte   |

## 02 INTERFACES / CONNECTORS / CONTROLS

|              |                  |
|--------------|------------------|
| Signal input | VGA x1<br>DVI x1 |
| HDCP         | yes              |

## 03 FEATURES

|                    |   |
|--------------------|---|
| Blue light reducer | yes   |
| Flicker free       | yes   |
| OSD languages      | EN, DE, FR, ES, IT, CN, RU, JP, CZ, NL, PL  |
| Control buttons    | Power, Menu/ Select, Scroll up, Scroll down/ ECO, Exit, Auto  |
| User controls      | auto adjust, luminance (brightness, contrast), geometry (H. position, V. position, pixel clock, phase), colour, OSD (H.position, V. poition, OSD time), language, recall, miscellaneous (sharpness, DDC/CI, display information, ACR, display mode, opening logo), input select |
| Convenience        | Kensington-lock™ prepared, DDC/CI, DDC2B, Mac OSX   |

## 04 MECHANICAL

|                              |  |
|------------------------------|--|
| Display position adjustments | height, pivot (rotation), swivel, tilt |
| Height adjustment            | 130mm                                  |
| Rotation (PIVOT function)    | 90°                                    |
| Swivel stand                 | 90°; 45° left; 45° right               |
| Tilt angle                   | 22° up; 5° down                        |
| VESA mounting                | 100 x 100mm                            |

## 05 ACCESSORIES INCLUDED

|        |                                 |
|--------|---------------------------------|
| Cables | power, DVI                      |
| Other  | quick start guide, safety guide |

## 06 POWER MANAGEMENT

|                   |   |
|-------------------|---|
| Power supply unit | internal                                |
| Power supply      | AC 100 - 240V, 50/60Hz                  |
| Power usage       | 24W typical, 05W stand by, 05W off mode |

## 07 SUSTAINABILITY

### Regulations

CE, TÜV-GS, VCCI-B, RoHS support, ErP, WEEE, CU, REACH

### EPEAT Silver

EPEAT is a comprehensive environmental rating that helps identify greener computers and other electronic equipment. The Silver certification means the monitor meets all required criteria plus at least 50% of the optional requirements. EPEAT Silver is valid in countries where iiyama registers the product. Please visit [www.epeat.net](http://www.epeat.net) for the registration status in your country.

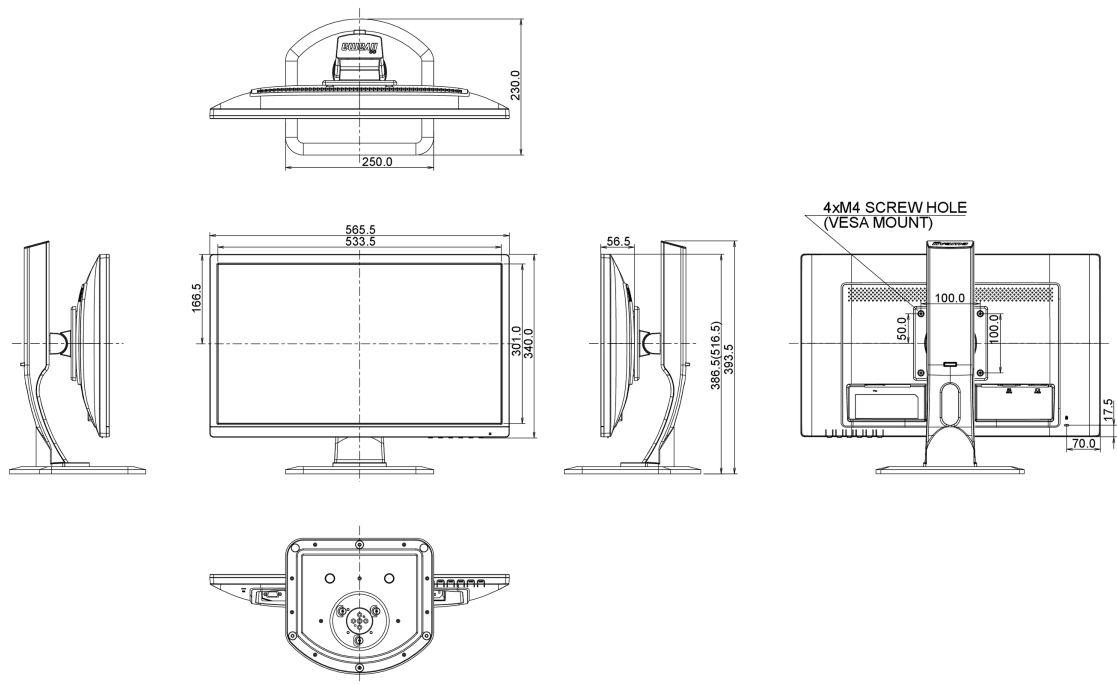
### REACH SVHC

above 0.1%: Lead

## 08 DIMENSIONS / WEIGHT

Product dimensions W x H x D 565.5 x 386.5 (516.5) x 230mm

Weight (without box) 5kg



All trademarks and registered trademarks acknowledged. E & O E. Specification subject to change without notice. All LCD's comply with ISO-9241-307:2008 in connection with pixel defects.

© IIYAMA CORPORATION. ALL RIGHTS RESERVED