



Reliable home and office solution

The 17" ProLite E1780SD is a LED-backlit monitor with good response time, high contrast and sRGB and gamma correction functions that permit even the finest nuances of colour to be set accurately. The ProLite E1780SD includes DVI and VGA connectivity and is available in black.



Speakers

This LED monitor is equipped with two stereo speakers.



LED-backlit

A typical CCFL LCD uses four backlight lamps. Using LED diodes considerably lowers the power consumption and reduces the CO₂ emission into the environment making this LCD a true ECO-Friendly product.

01 DISPLAY CHARACTERISTICS

Diagonal	17", 43cm
Panel	TN LED, matte finish
Native resolution	1280 x 1024 (1.3 megapixel)
Aspect ratio	5:4
Panel brightness	250 cd/m ²
Static contrast	1000:1
Advanced contrast	12M:1
Response time (GTG)	5ms
Viewing zone	horizontal/vertical: 170°/160°, right/left: 85°/85°, up/down: 80°/80°
Colour support	16.7mIn (sRGB: 99%; NTSC: 72%)
Horizontal Sync	24 - 80kHz
Viewable area W x H	337.9 x 270.3mm, 13.3 x 10.6"
Pixel pitch	0.264mm
Colour	matte

02 INTERFACES / CONNECTORS / CONTROLS

Signal input	VGA x1 DVI x1
HDCP	yes

03 FEATURES

OSD languages	EN, DE, FR, CN, RU, JP, NL, PL
Control buttons	Power, Select / Input Button, Scroll Up / Audio Adjust Button, Scroll Down / i-Style Colour Button, Menu Button
Speakers	2 x 1W

04 MECHANICAL

Display position adjustments	tilt
Tilt angle	20° up; 2° down
VESA mounting	100 x 100mm

05 ACCESSORIES INCLUDED

Cables	power, DVI, Audio
Other	quick start guide, safety guide

06 POWER MANAGEMENT

Power supply unit	internal
Power supply	AC 100 - 240V, 50/60Hz
Power usage	14W typical, 0.5W stand by, 0.5W off mode

07 SUSTAINABILITY

Regulations	CE, TÜV-Bauart, VCCI-B, RoHS support, ErP, WEEE, REACH
-------------	--

Energy efficiency class (Regulation (EU) 2017/1369)

E

REACH SVHC

above 0.1%: Lead

08 DIMENSIONS / WEIGHT

Product dimensions W x H x D

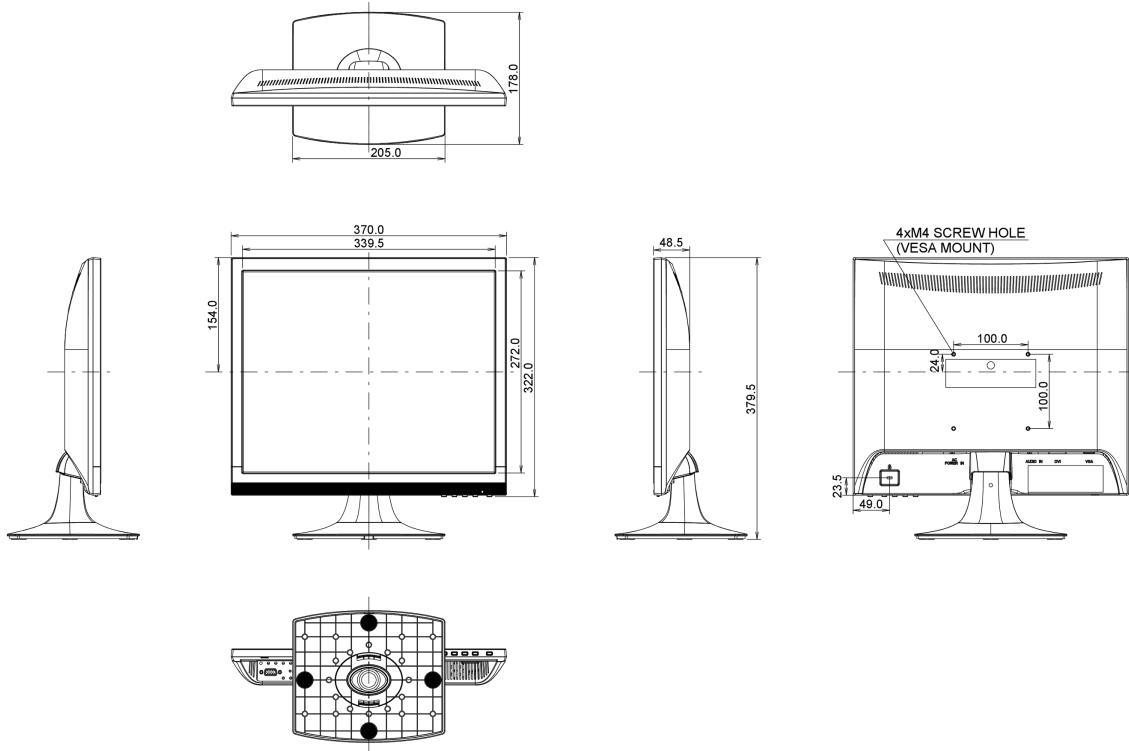
370 x 379.5 x 178mm

Weight (without box)

2.6kg

EAN code

4948570113002



All trademarks and registered trademarks acknowledged. E & O E. Specification subject to change without notice. All LCD's comply with ISO-9241-307:2008 in connection with pixel defects.

© IIYAMA CORPORATION. ALL RIGHTS RESERVED