



50" 4K UHD professional digital signage display with advanced control and connectivity options

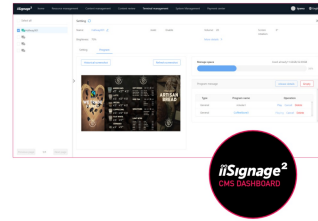
Elevate your visual communication with the LH5060UHS-B1AG and unlock the new possibilities for your business. This 500cd/m² high brightness display is a powerful business tool that takes your marketing and communication efforts to the next level. With its Android 11 OS, iiSignage² content management software, Signal FailOver and EShare features, this display offers a straightforward user experience, making content creation, management, and sharing a breeze.

This ELED IPS display consumes significantly less power compared to DLED IPS while maintaining the same level of brightness. Its versatile orientation, sleek design, and 24/7 reliability ensure it seamlessly integrates into any business environment. Whether it's used in retail, corporate, hospitality, or educational settings, the LH5060UHS-B1AG will undoubtedly captivate your audience and leave a lasting impression.



Android İşletim Sistemi

Android işletim sistemi sayesinde, uygulamaları doğrudan ekrana yükleyerek ekranı ihtiyaçlarınıza göre kolayca özelleştirebilirsiniz.



iiSignage²

01 EKRAN ÖZELLİKLERİ

Diagonal	49.5", 125.7cm
Diyagonal	125.7cm
Panel	IPS, AG coated glass, mat kaplama, hard coating (3H), haze 25%
Çözünürlük	3840 x 2160 @60Hz (8.3 MegaPixels 4K UHD)
En boy oranı	16:9
Panel parlaklığı	500 cd/m ²
Statik kontrast	1200:1
Tepki süresi (GTG)	8ms
Görüntüleme Alanı	yatay/dikey: 178°/178°, sağ/sol: 89°/89°, yukarı/aşağı: 89°/89°
Renk desteği	(NTSC 87%)
Yatay Sync	28 - 160kHz
Görüntülenebilir alan G x Y	1095.8 x 616mm, 43.1 x 24.3"
Çerçeve genişliği (yanlar, üst, alt)	10.6mm, 10.6mm, 15.5mm
Piksel aralığı	0.285mm

02 ARAYÜZLER / BAĞLANTILAR / KONTROLLER

Dijital sinyal girişi	HDMI x3 (v.2.0, max. 3840x2160 @60Hz)
Monitör kontrol girişi	RS-232c x1 (2.5mm sub-mini jack) RJ45 (LAN) x1 IR x1 (3.5mm stereo mini)
Ses çıkışı	Mini jack x1 Hoparlör 2 x 10W
HDCP	v.1.4 & 2.2
USB portları	x2 (v.2.0)

03 ÖZELLİKLER

Entegre software	Android 11 OS, iiSignage ² , FailOver, EShare
WiFi	(Built-in, 802.11ac)
Hardware	CPU: A53*4, GPU: G52 MP2, RAM: 2GB, ROM: 16GB
Ekstra	Wall mounting kit included (VESA 400x300mm)
Anti görüntü koruma	evet
Media playback	evet

04 GENEL

OSD dilleri	, , , , , , , , , SV, FI, DA, NB
Kontrol düğmeleri	Power button, Power Indicator, Remote Sensor
Kullanıcı kontrolleri	picture (brightness, contrast, sharpness, black level, tint, colour, noise reduction, gamma selection, colour temperature, colour control, over scan, picture reset), screen (zoom mode, custom zoom, screen reset), Audio (balance, treble, bass, volume, audio out, maximum volume, minimum volume, mute, audio out sync, speaker setting, audio reset), configuration 1 (switch on state, panel saving, RS232-routing, boot on source, WOL, configuration 1 reset, factory reset), Configuration 2 (OSD timeout, OSD H-Position, OSD V-position, system rotation, information OSD, logo and animation logo setting, animation setting, monitor ID, monitor information, HDMI version, configuration 2 reset), advanced option (IR control, off timer, schedule, HDMI with one wire, HDMI with one wire power off, FailOver, language, OSD transparency, power saving, advanced option reset), Android settings (network & internet, apps & notifications, display, signage display, security, language & input, date & time, about device)

05 MEKANİK

Fansız tasarım	evet
Çalışma sıcaklığı aralığı	0°C - 40°C
Depolama sıcaklığı aralığı	- 20°C - 60°C
MTBF	50.000 saat (arka ışık hariç)

06 PAKET İÇERİĞİNDEKİ AKSESUARLAR

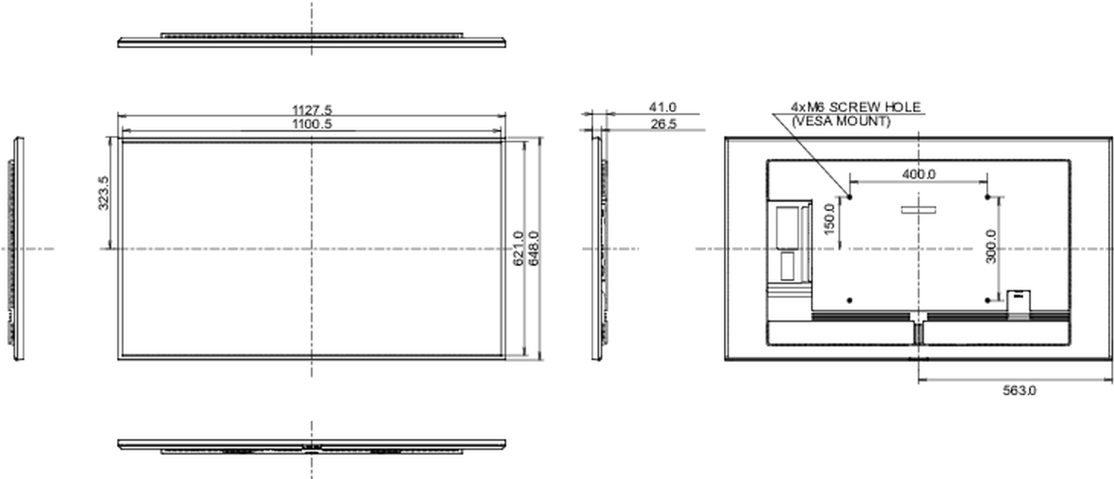
Kablolar	güç, HDMI, RS-232c
Diğer	Wall mount bracket, Wall mount guide, Screws, Screw anchors, Stickers for screw holes

07 GÜÇ YÖNETİMİ

Güç kaynağı	AC 100 - 240V, 50/60Hz
Güç kullanımı	95W tipik, 0.5W stand by, 0.3W off mode

08 ÖLÇÜLER / AĞIRLIK

Ürün boyutları G x Y x D	646.8 x 41 x %3mm
Kutu boyutları G x Y x D	1250 x 760 x 128mm
Ağırlık (kutu hariç)	12.6kg
Ağırlık (kutu ile birlikte)	16.8kg
EAN kodu	4948570124091



All trademarks and registered trademarks acknowledged. E & O E. Specification subject to change without notice. All LCD's comply with ISO-9241-307:2008 in connection with pixel defects.

© IYAMA CORPORATION. ALL RIGHTS RESERVED