

Universal wall mount, up to VESA 200x200mm, max. 50kg

With the easy and quick fixation system, this wall mount guarantees safe usage in environments like schools and other public utility buildings.

01 DEVICE

Type Wall Mount

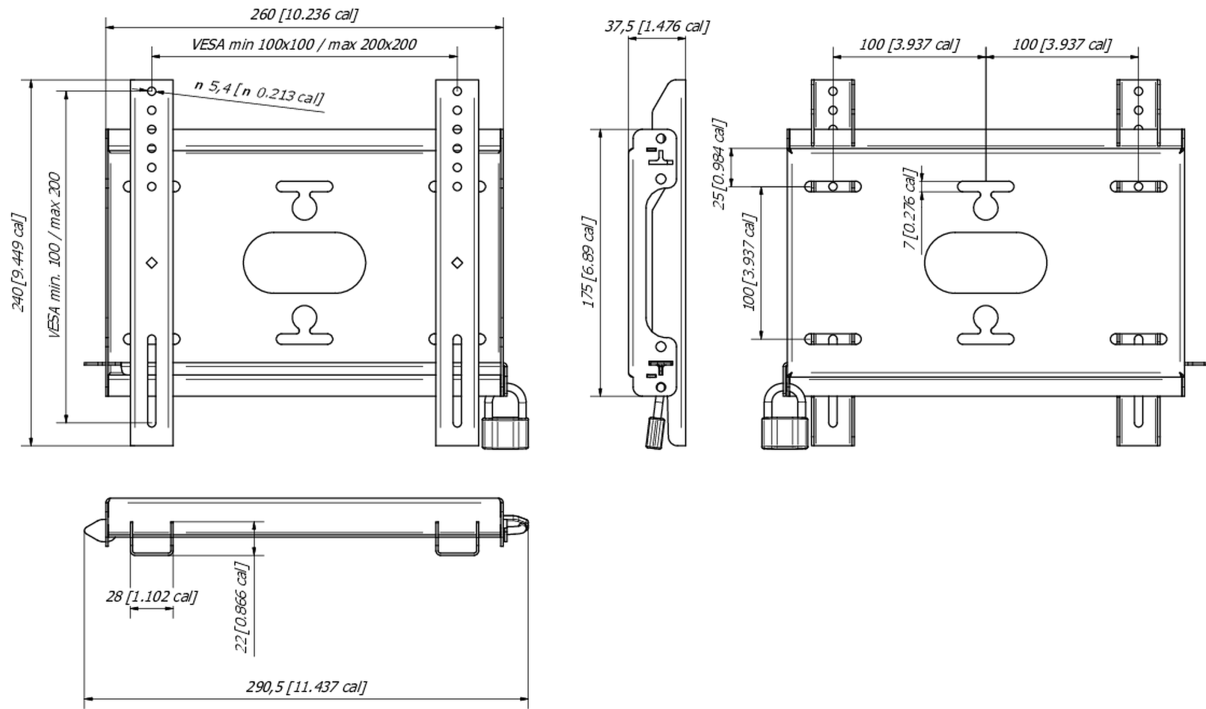
02 TECHNICAL SPECIFICATION

Max weight capacity 50kg / monitor

VESA minimum 100 x 100mm

VESA maximum 200 x 200mm

MD-WM2020



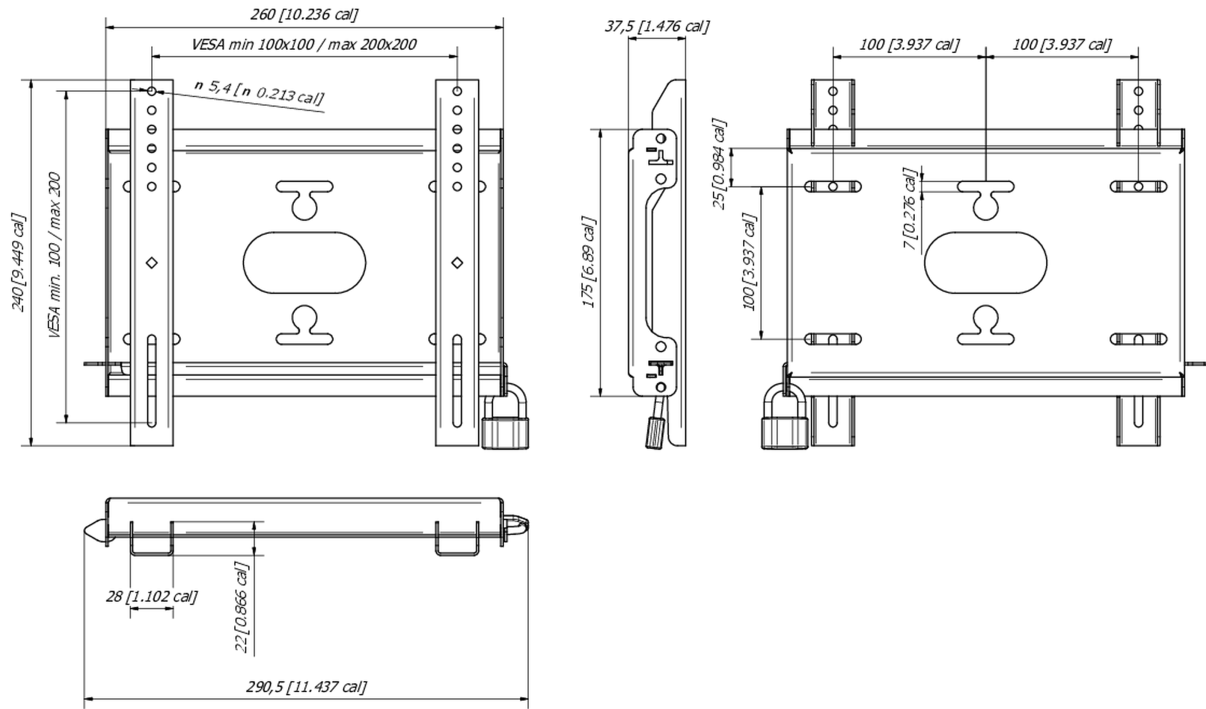
03 DIMENSIONS / WEIGHT

Product dimensions W x H x D 240 x 37,5 x %3mm

Weight (without box) 1.1kg

EAN code 4948570033300

MD-WM2020



All trademarks and registered trademarks acknowledged. E & O E. Specification subject to change without notice. All LCD's comply with ISO-9241-307:2008 in connection with pixel defects.

© IYAMA CORPORATION. ALL RIGHTS RESERVED