



27” IPS technology panel with USB hub and 100Hz refresh rate

Stylish edge-to-edge design makes the ProLite XU2793HSU perfect for multi-monitor set-ups. The IPS panel technology offers accurate and consistent colour reproduction with wide viewing angles. The 100Hz refresh rate together with AdaptiveSync function provides an instant, tangible improvement in image smoothness. High contrast and brightness values mean the monitor will provide excellent performance for photographic and web design. Equipped with speakers, 2 port USB, headphone socket, HDMI and DisplayPort connections, a blue light reducer function to reduce eye fatigue for optimal user comfort, make this 27” monitor a great choice for both multi-monitor configuration and office applications.

Available also with height adjustable stand : [ProLite_XUB2793HSU-B6 \(1920x1080\)](#) and [ProLite_XUB2793QSU-B6 \(2560x1440\)](#).



IPS Technology

IPS displays are best known for wide viewing angles and natural, highly accurate colours. They are especially suited for colour-critical applications.



100Hz

A 100Hz refresh rate translates into increased smoothness of the image. This means that flickering is reduced and therefore eye fatigue is also less noticeable. The increased frequency also means smoother transitions between contrasting colours, smoother motion scenes in both movies and gaming, and even reduced mouse cursor flickering.

01 DISPLAY CHARACTERISTICS

| | |
|----------------------|---|
| Design | 3-side borderless |
| Diagonal | 27", 68.6cm |
| Panel | IPS panel technology LED, matte finish |
| Native resolution | 1920 x 1080 @100Hz (2.1 megapixel Full HD) |
| Aspect ratio | 16:9 |
| Panel brightness | 250 cd/m ² |
| Static contrast | 1000:1 |
| Advanced contrast | 80M:1 |
| Response time (MPRT) | 1ms |
| Viewing zone | horizontal/vertical: 178°/178°, right/left: 89°/89°, up/down: 89°/89° |
| Colour support | 16.7mIn (sRGB: 96%; NTSC: 72%) |
| Horizontal Sync | 30 - 110kHz |
| Viewable area W x H | 597.9 x 336.3mm, 23.5 x 13.2" |
| Pixel pitch | 0.311mm |
| Colour | matte, black |

02 INTERFACES / CONNECTORS / CONTROLS

| | |
|---------------------|---------------------------|
| Signal input | HDMI x1 DisplayPort x1 |
| USB HUB | x2 (v. 2.0 (DC5V, 500mA)) |
| HDCP | yes |
| Headphone connector | yes |

03 FEATURES

| | |
|-----------------------|---|
| Blue light reducer | yes |
| Flicker free | yes |
| Adaptive Sync support | yes |
| Extra | i-Style colour |
| OSD languages | EN, DE, FR, ES, IT, RU, JP, CZ, NL, PL |
| Control buttons | Power, Menu, Up / Right / Volume, Down / Left / i-Style Colour, Input / Exit |
| User controls | picture adjust (brightness, contrast, Eco, ACR, OD, MBR, AdaptiveSync), colour settings (i-Style colour, blue light reducer, colour temp., user preset), OSD (OSD H. position, OSD V. position, OSD rotate, OSD time), language, recall, miscellaneous (sharp and soft, video mode adjust, opening logo, RGB range, LED, display information), input select (source), audio settings (volume, mute audio) |
| Speakers | 2 x 2W |
| Convenience | Kensington-lock™ prepared, DDC/CI, DDC2B, Mac OSX |

04 MECHANICAL

| | |
|------------------------------|-----------------|
| Display position adjustments | tilt |
| Tilt angle | 22° up; 4° down |
| VESA mounting | 100 x 100mm |
| Cable management system | yes |

05 ACCESSORIES INCLUDED

| | |
|--------|---------------------------------|
| Cables | power, USB, HDMI |
| Other | quick start guide, safety guide |

06 POWER MANAGEMENT

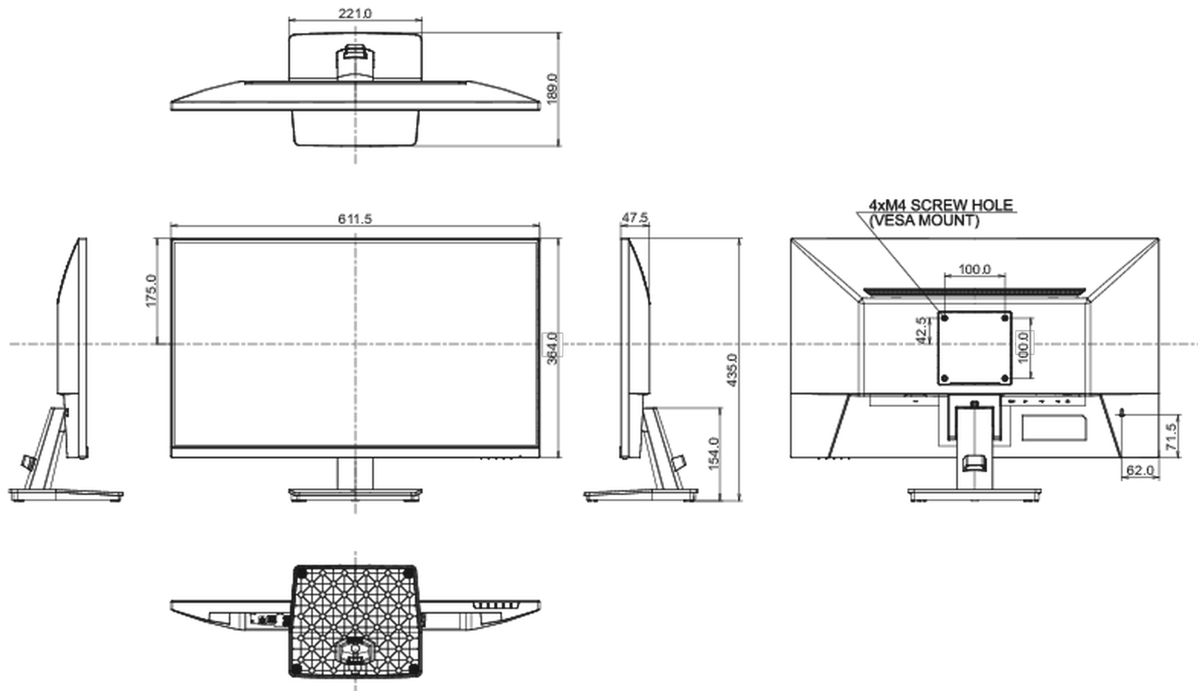
| | |
|-------------------|---|
| Power supply unit | internal |
| Power supply | AC 100 - 249V, 50/60Hz |
| Power usage | 22W typical, 0.5W stand by, 0.3W off mode |

07 SUSTAINABILITY

| | |
|---|---|
| Regulations | TCO Certified, CE, TÜV-Bauart, EAC, VCCI-B, PSE, RoHS support, ErP, WEEE, REACH, UKCA |
| Energy efficiency class (Regulation (EU) 2017/1369) | E |
| EPEAT | *registration varies by country, go to www.epeat.net for details |
| REACH SVHC | above 0.1%: Lead |

08 DIMENSIONS / WEIGHT

| | |
|------------------------------|-------------------|
| Product dimensions W x H x D | 612 x 435 x 189mm |
| Box dimensions W x H x D | 688 x 465 x 125mm |
| Weight (without box) | 3.8kg |
| Weight (with box) | 5.3kg |
| EAN code | 4948570123056 |



All trademarks and registered trademarks acknowledged. E & O E. Specification subject to change without notice. All LCD's comply with ISO-9241-307:2008 in connection with pixel defects.

© IYAMA CORPORATION. ALL RIGHTS RESERVED