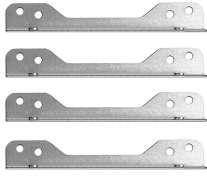
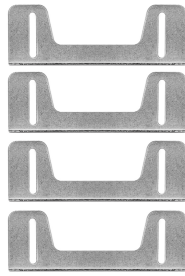


OMK5-1



MOUNTING BRACKETS KIT

**iiyama**



OMK5-1



MOUNTING BRACKETS KIT

**iiyama**



OMK5-1



MOUNTING BRACKETS KIT

**iiyama**



OPTIONAL BRACKETS,  
OMK5-1



## Komplet za montiranje za iiyama TF1615MC ekrane osetljive na dodir

Ovo rešenje je kompatibilno za sledeće modele iiyama ekrana: [TF1615MC](#)

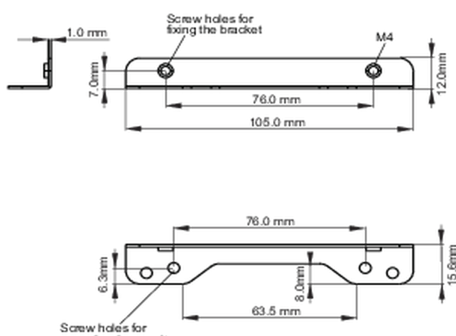
### 01 TEHNIČKA SPECIFIKACIJA

Tip

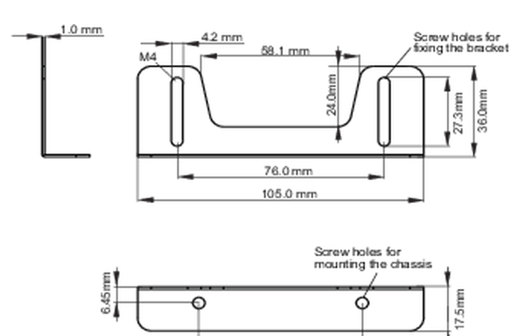
montažni nosač

#### ● Bracket dimensions

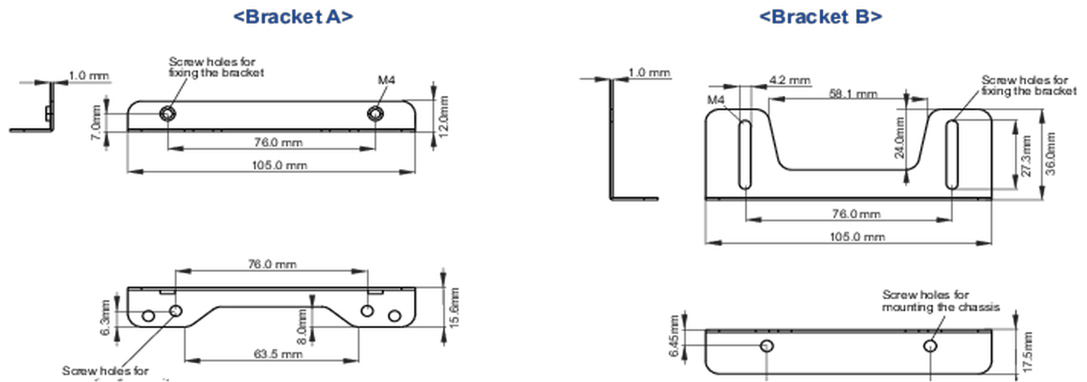
<Bracket A>



<Bracket B>



### 02 DIMENZIJE / TEŽINA

**● Bracket dimensions****03 POVEZANE INFORMACIJE**

Srodni proizvodi

[ProLite TF1615MC-B1](#)

All trademarks and registered trademarks acknowledged. E & O E. Specification subject to change without notice. All LCD's comply with ISO-9241-307:2008 in connection with pixel defects.

© IIYAMA CORPORATION. ALL RIGHTS RESERVED