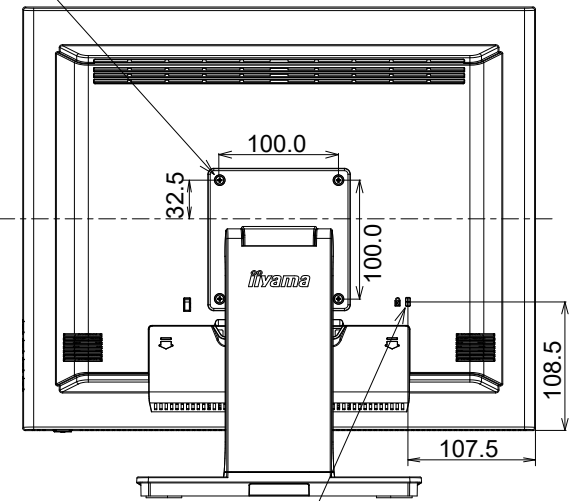


4 x M4 SCREW HOLE
(VESA MOUNT)



SECURITY HOLE
(3mm x 7mm)